



# AUTOSOW

## INDIVIDUAL GESTATING SOW FEEDING

- ▶ Individual sow feeding
- ▶ Production cost reduction
- ▶ More animal welfare
- ▶ Production forecasting
- ▶ Livestock management



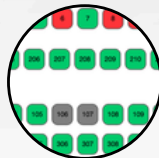
APP



HAND READER



FDX TAGS



HERD MANAGEMENT



AUTOSOW



design in Germany, made in China

 [www.tsfgermany.com](http://www.tsfgermany.com)



 GERMAN  
ACCELERATOR<sup>®</sup>

**TSF**  
*Jemu*  
SMART FARMING

## AUTOSOW

*To optimize performance in modern pig farming, it is essential to ensure freedom of movement and protection during feeding. The AutoSow enhances sow feeding during gestation by providing tailored solutions for well-being and feed efficiency. Its adaptable design fits various housing configurations with minimal adjustments.*



### KEY CAPABILITIES

**Precision Feeding:** Utilizes RFID technology to recognize each sow and dispense a specific, programmed quantity of feed tailored to her nutritional needs and body condition. Individual identification is achieved through RFID ear tags, operating at a frequency of LF 134.2 kHz.

**Self-Training:** Unlike traditional ESF systems that require extensive labor to train sows to navigate the gate, the **Autosow** resembles a standard gestation crate, allowing sows to learn its use independently with minimal human assistance.

**Autonomous & Wireless:** Each station operates completely independently. If a central computer or network fails, the individual feeders continue to function based on their last synchronized data.

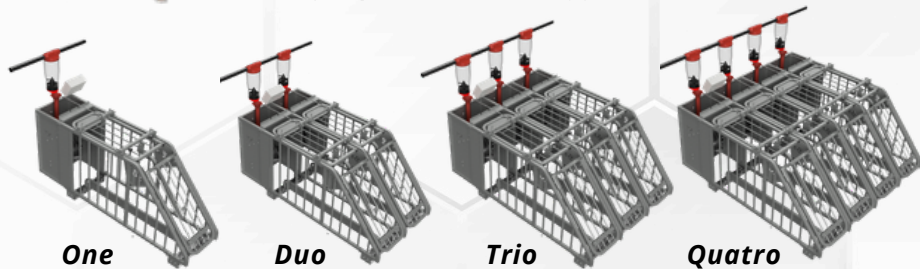
**Single door:** The station employs a simple mechanic door for both entry and reverse exit (back-exit).

**Each station operates stably with up to 20 sows per station**

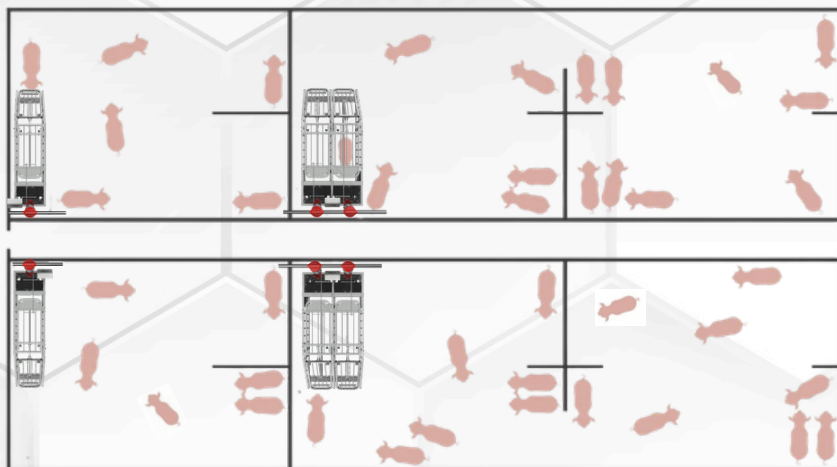
# MODULAR GROUP FEEDING STATIONS



*Flexibility in design and installation is essential for our partners, allowing for adjustments to standard equipment to accommodate various group sizes and levels of freedom.*



**Space Efficiency:** *The Autosow design significantly minimizes penning requirements, lowering acquisition costs. It can typically accommodate more sows—such as 480 sows compared to 432 sows in traditional stalls—while maintaining the same footprint.*



## **Management & Welfare Benefits**

**Reduced Aggression:** *The station keeps the sow separated while she eats, which helps to prevent "boss sows" from stealing food or causing harm to others at mealtime.*

# SMART ESF AUTOSOW

*The modern way to manage sows on group gestation*

*Optional high volume feed dispenser of 80 L*

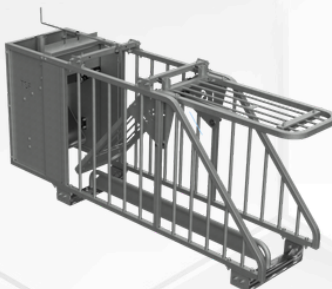
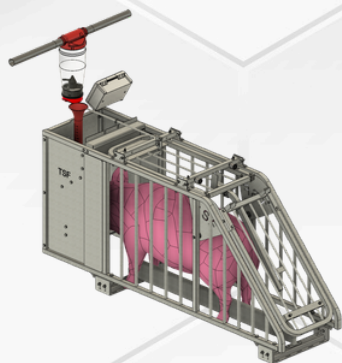
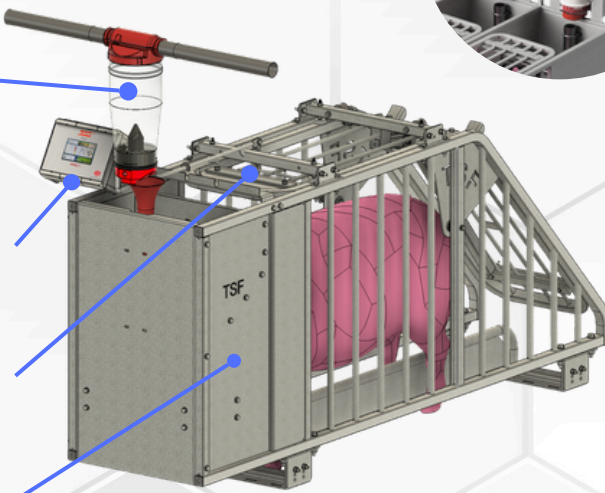


*Feed sensor to detect low level feeder and automatic start the feedline.*

*Smart controller with touchscreen, Wifi and Stand alone functionalities.*

*Sensor to detect door close and electrical actuator to release the door lock (optional)*

*Smart RFID Antenna constantly scanning for the sow ID detection*



## THE ONCON PLATFORM

**Oncon is a cutting-edge industrial platform designed to centralize and connect the entire automation ecosystem of modern pig farms. By leveraging advanced IoT technology and robust server infrastructure, Oncon goes beyond mere monitoring, offering a complete, secure, and remotely manageable farming environment.**



CON100 - LOCAL SERVER



CON10 - EDGE SERVER



CON220 - PLC GATEWAY



CON50



TEMPERATURE HUMIDITY



CO2



AIR PRESSURE



FEED SENSOR



ULTRASOUND FLOWMETER



FEED DOSER



DYNAMIC SCALE



TESTING STATION



CAMERAS



MICROPHONE



DIGITAL LOADCELL

**For even more comprehensive insights, integrate Autosow with **\*\*Oncon Platform\*\*** solutions:**

**\*\*Combine with Autodos Feeding\*\*** in farrowing pens for a thorough overview of each sow's feeding history. This allows you to monitor intake trends, optimize nutrition, and make adjustments that enhance health and results.

**\*\*Autogate Option:\*\*** Incorporate Autogate for automatic weighing throughout gestation, ensuring that each sow achieves growth targets and maintains optimal health without guesswork.

**\*\*Heat Detection for Efficiency:\*\*** With the optional Autogate Heat detection feature, you can easily identify sows that may have aborted and quickly address health needs, thus minimizing unnecessary feeding costs.



Management



Monitoring



Control

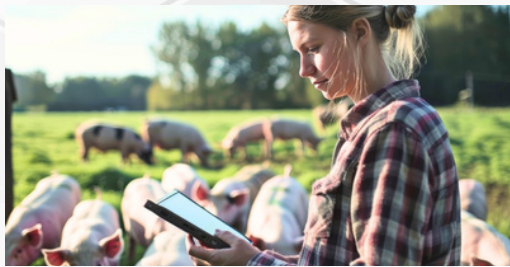
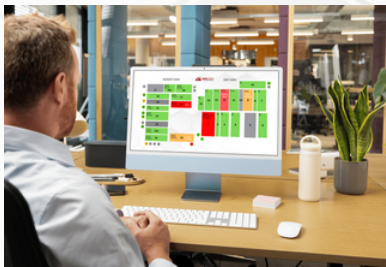


Connecting



# SMART AUTOMATION

	N	%	FC	M	K%	Age	#	S						
<b>Stall 11</b>	1	2	3	4	5	6	7	8	9	10	11	12	13	14
25 °C	-	100%	100%	75%	75%	76%	77%	-	100%	100%	100%	100%	73%	104%
75 %	15	16	17	18	19	20	21	22	23	24	25	26	27	28
1250 PPM	100%	-	100%	60%	55%	100%	75%	-	100%	100%	55%	55%	55%	
8,5 L	29	30	31	32	33	34	35	36	37	38	39	40	41	42
	100%	100%	100%	100%	75%	-	75%	-	75%	75%	100%	100%	100%	100%

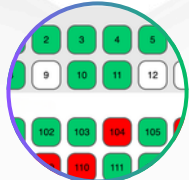
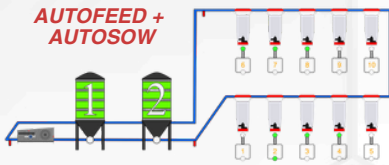


## oncon® Herd Management Software

Complete farm automation platform to control and automate all aspects of a modern livestock farming.



Smart controller



ALARM MANAGEMENT

### feed & feedback



WhatsApp

Stadtlohn - Germany / Qingdao - China

marcio@temu.eu    hubert@temu.cc