

Temu®
SMART FARMING

TWAIL - Series 1 Air Inlet

Features:



It is injection-molded from high-strength ABS raw materials, sturdy structure, excellent impact resistance, and long service life.



Equipped with thickened springs, it enhances connection stability to ensure no easy loosening during long-term use.



The widened deflector design effectively guides the air flow direction and significantly improves ventilation efficiency.



Additional flow guide devices are installed on both sides to further stabilize the air flow and enhance the overall ventilation uniformity.

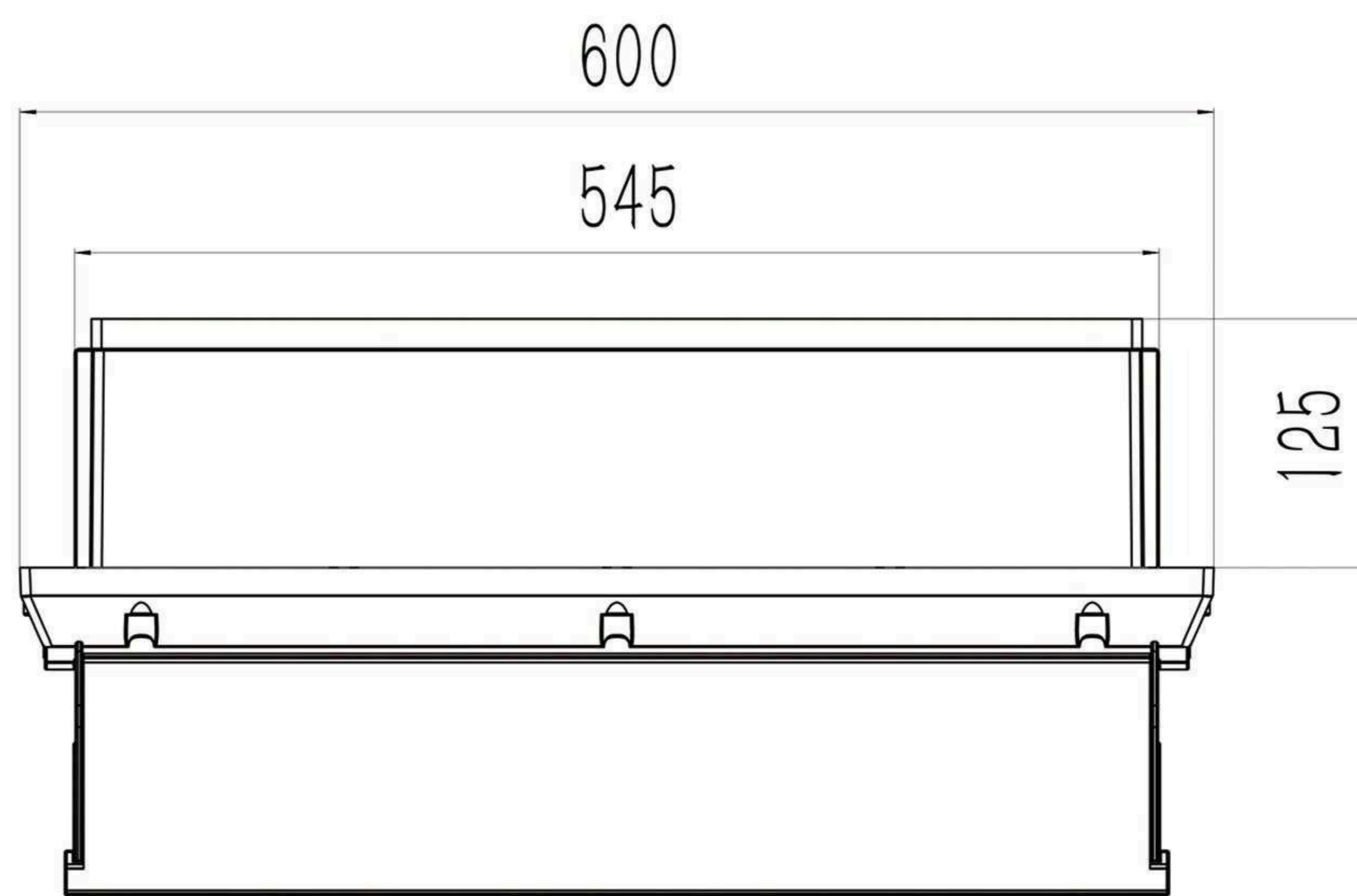
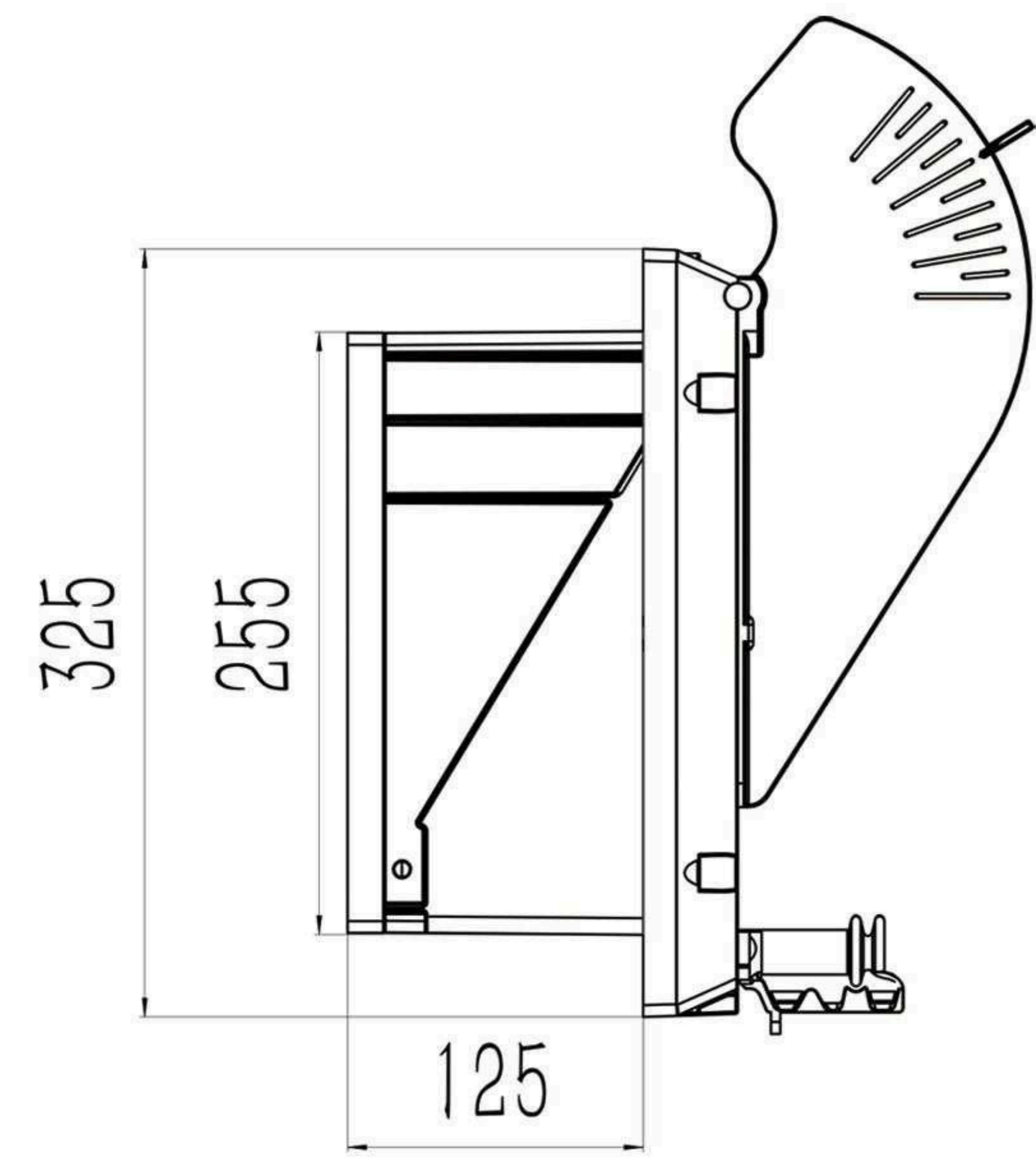
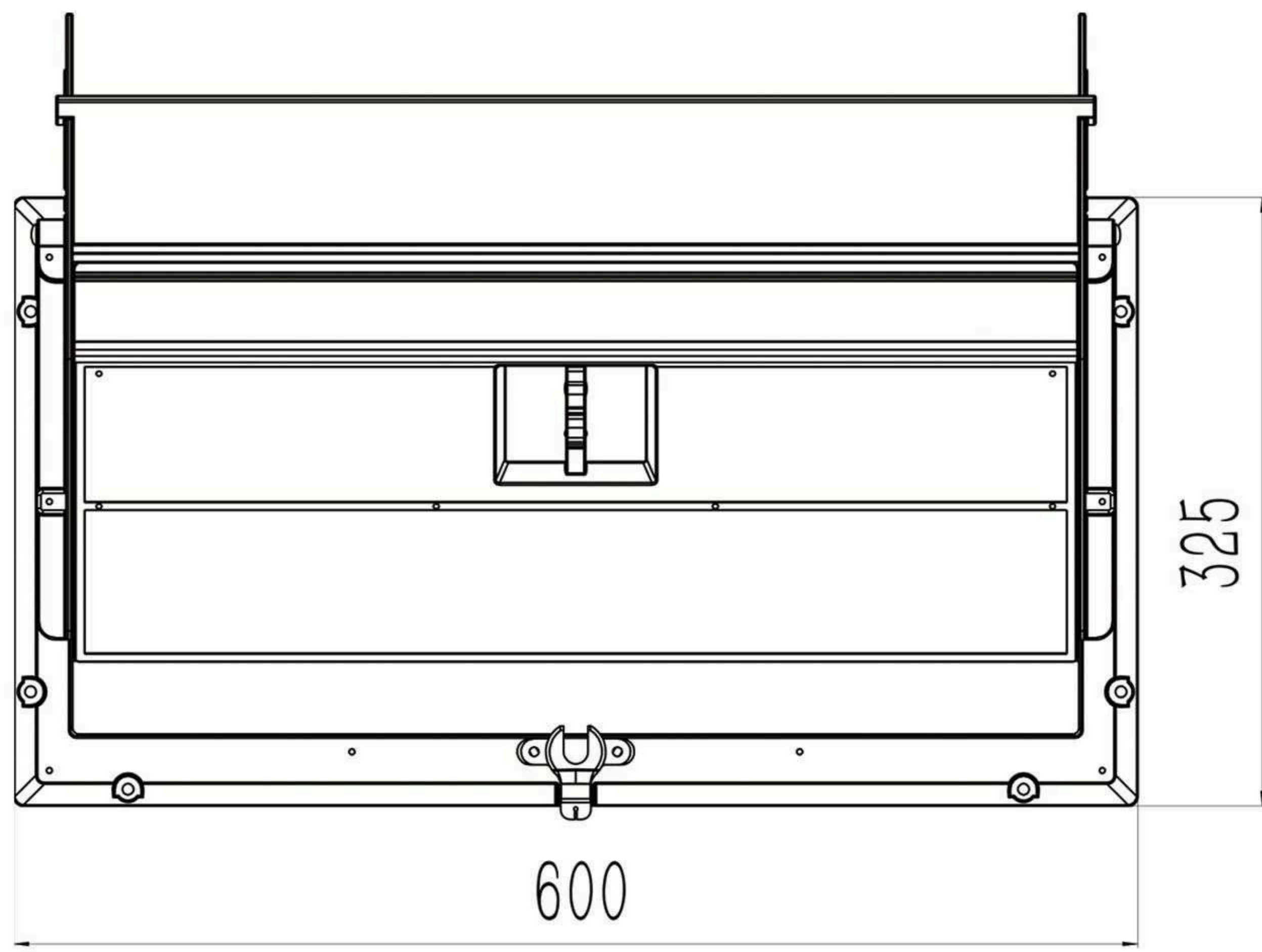


Built-in insulation boards offer good heat insulation performance, effectively reducing energy loss. Embedded aluminum alloy support strips strengthen the structural strength and effectively prevent air door deformation.



The air deflector adopts an integral welding forming process, more stable structure and more reliable operation. All screws are made of stainless steel, which is corrosion-resistant and rust-proof.

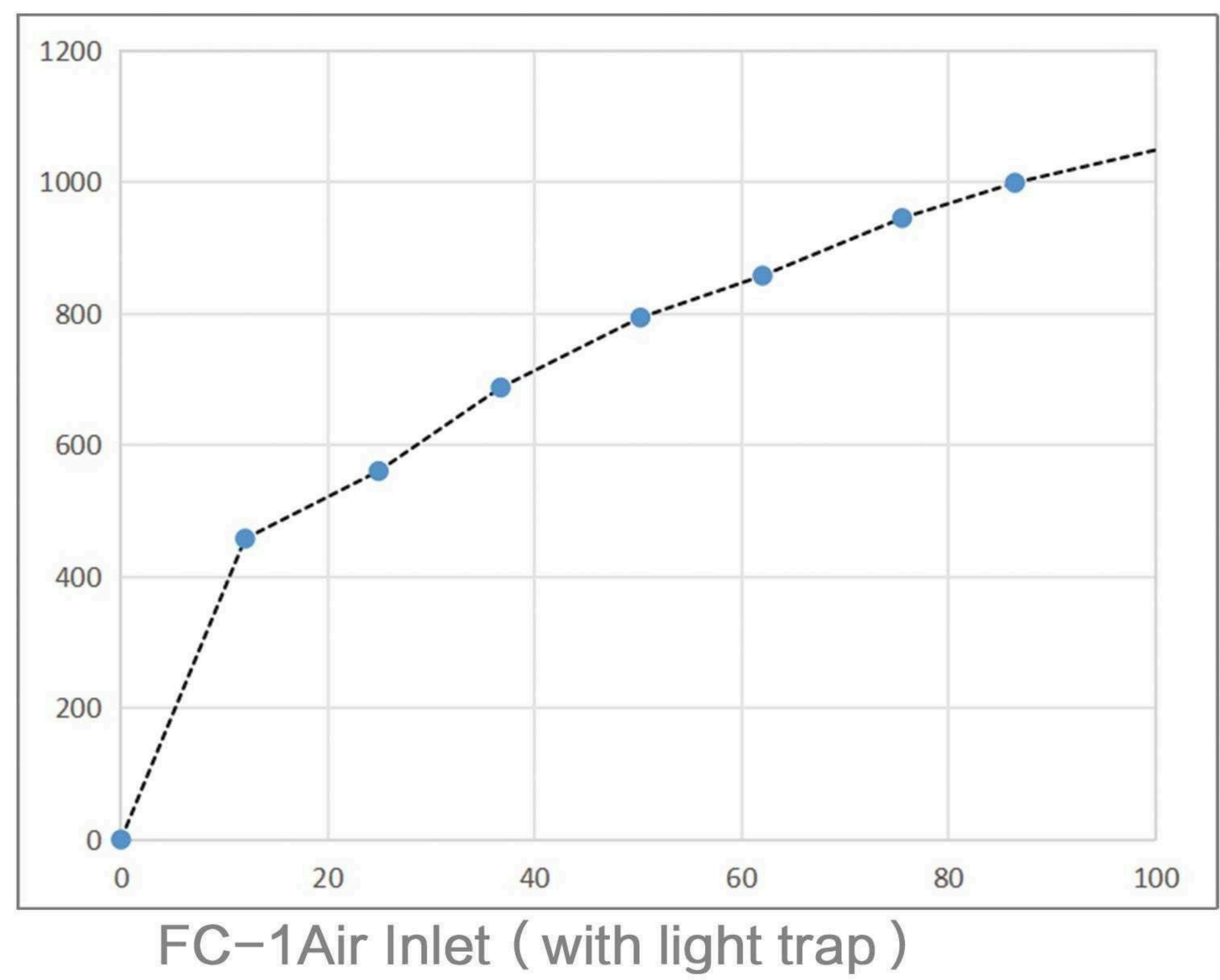
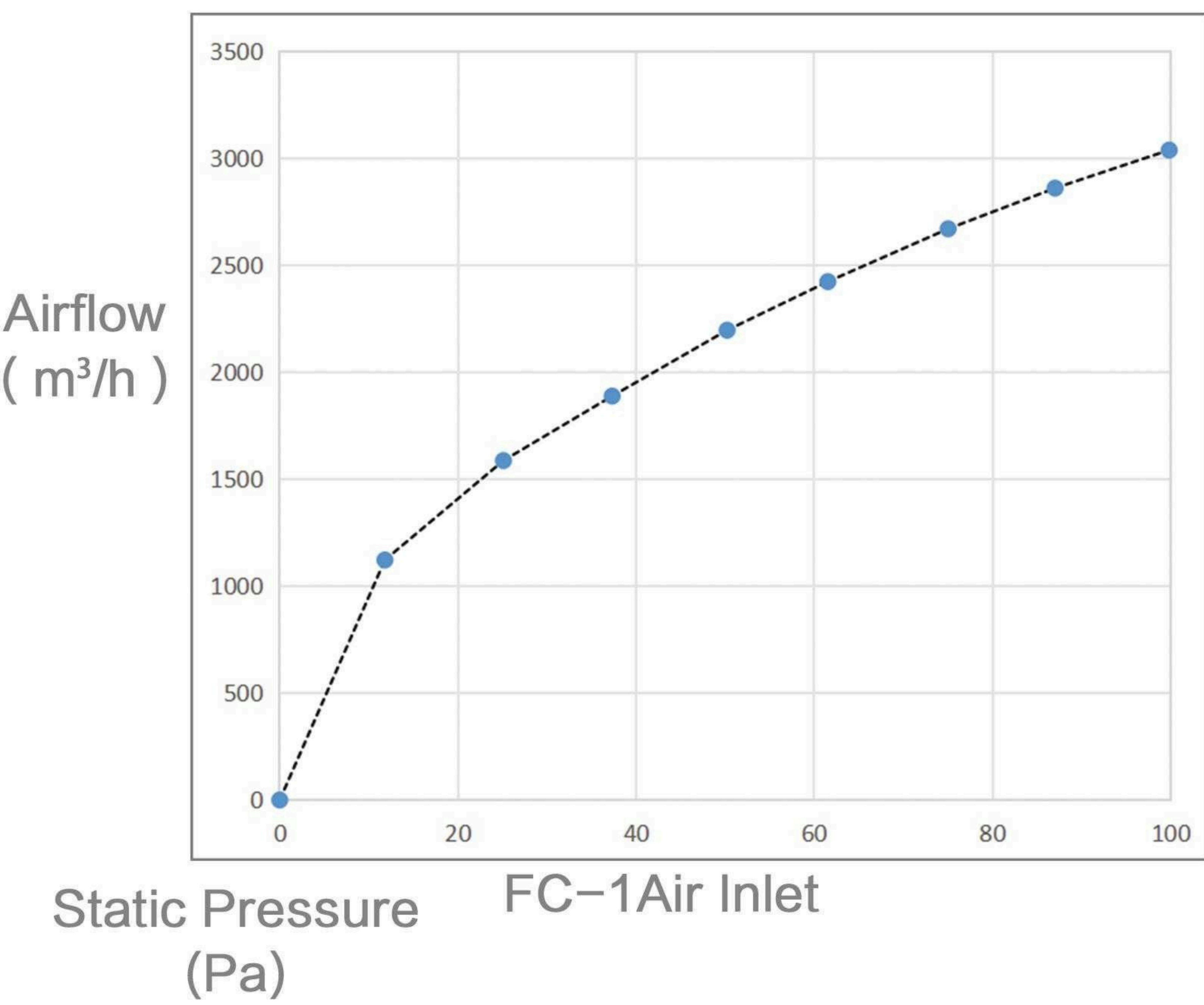
Dimension:



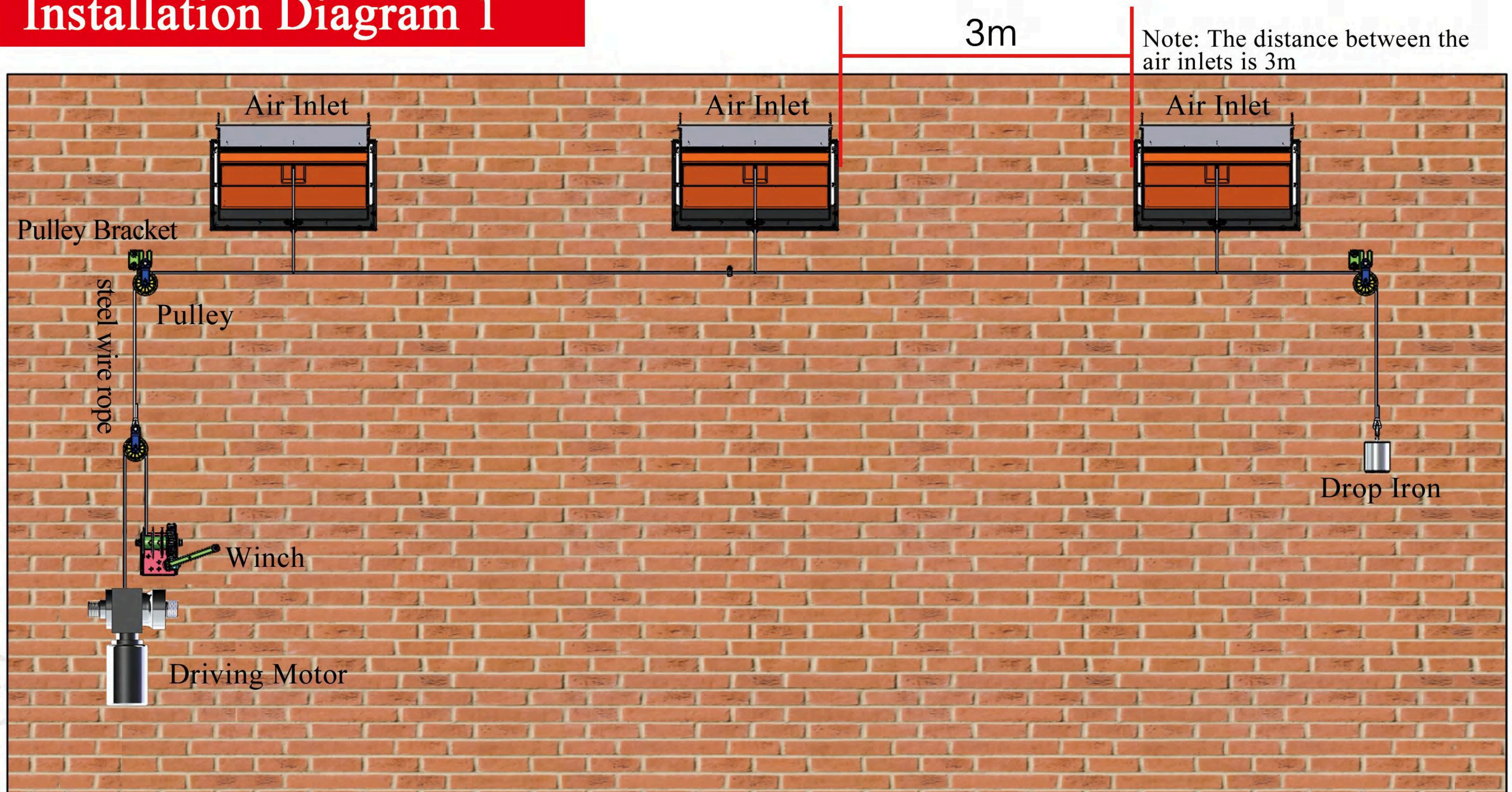
Unit: mm

Installation Reserved Hole Size: 265X555mm

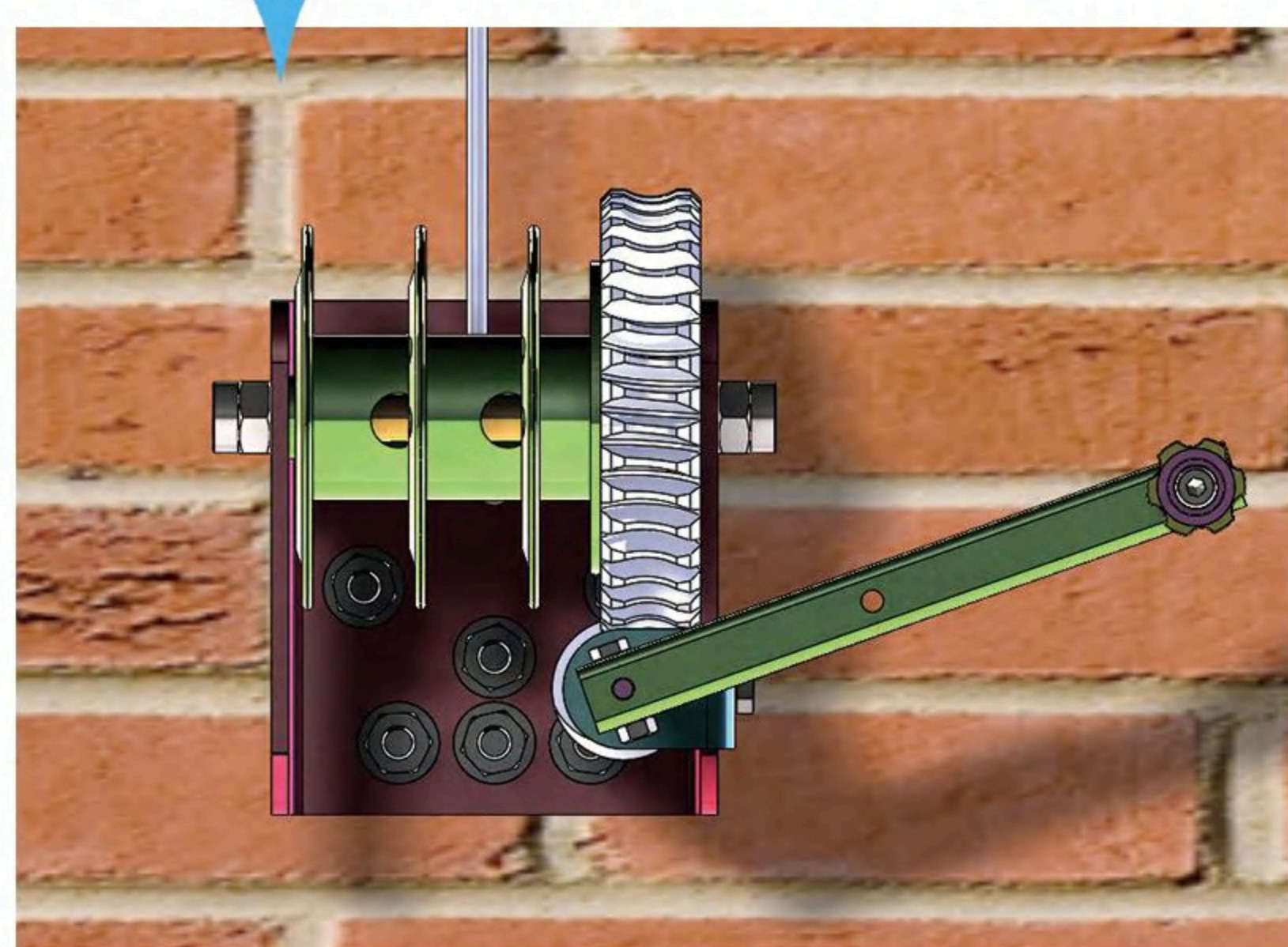
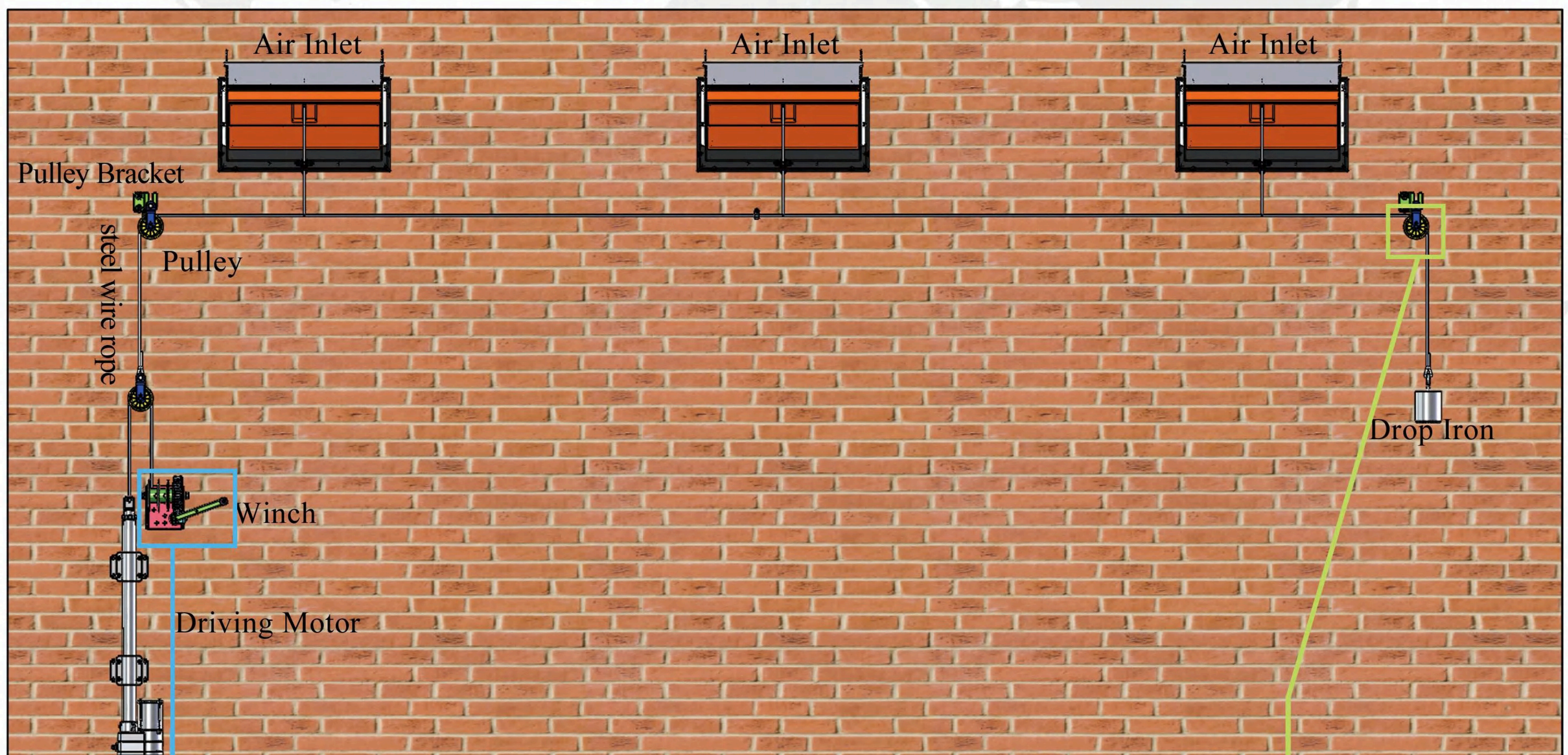
Airflow Graph:



Installation Diagram 1

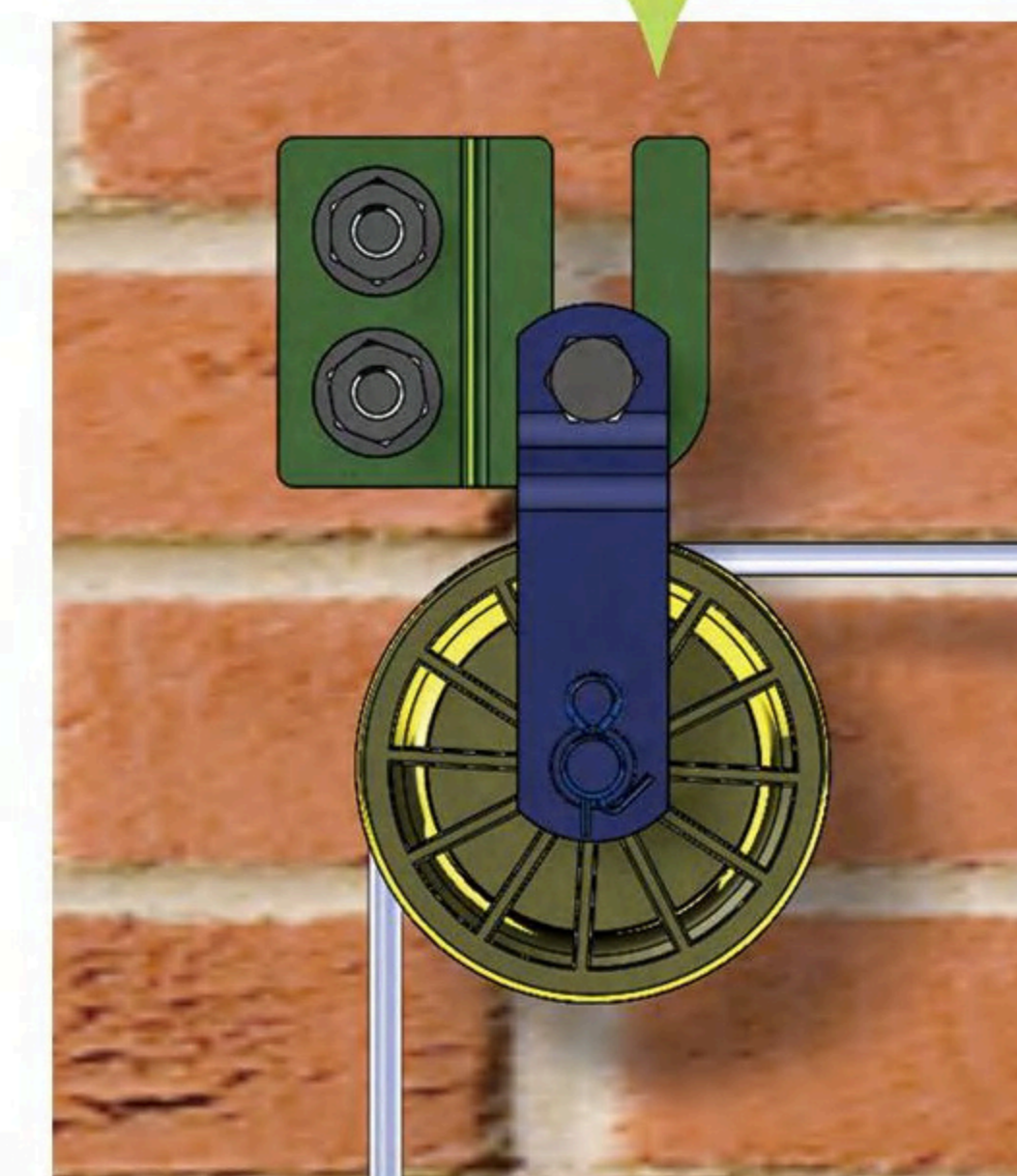


Installation Diagram 2



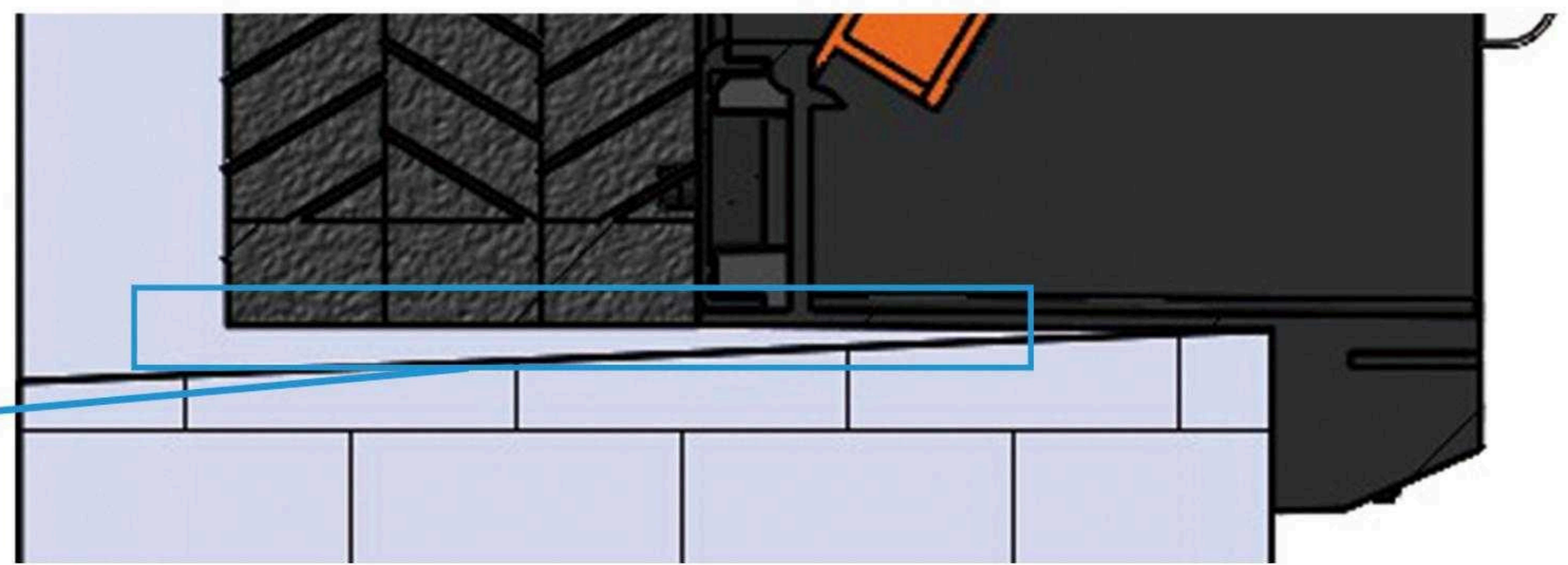
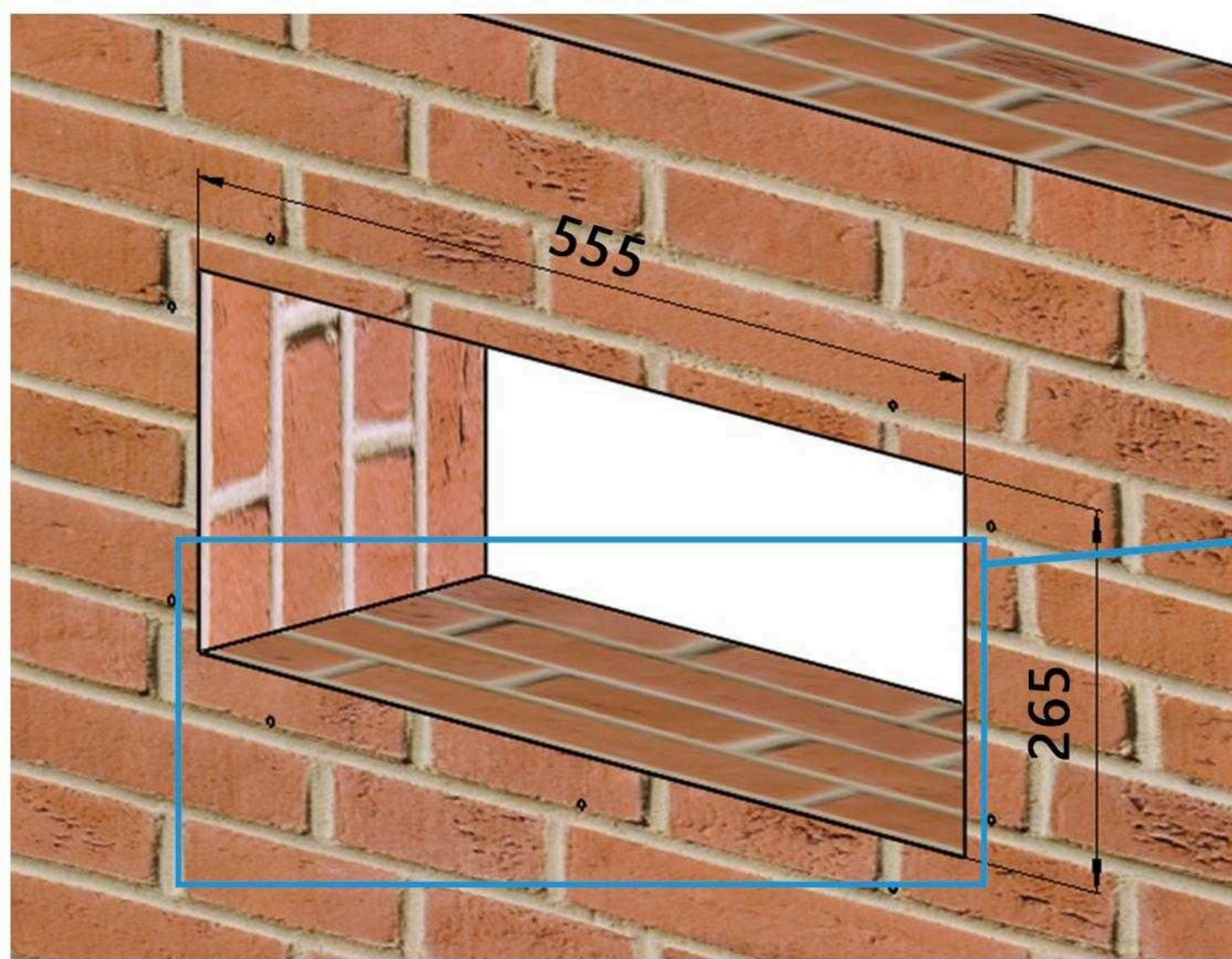
There needs 4pcsp 5mm steel wire rope clips and 2pcs 3mm steel wire rope clips if connected by Nylon rod.

There needs 3 expansion bolts to fix the winch.



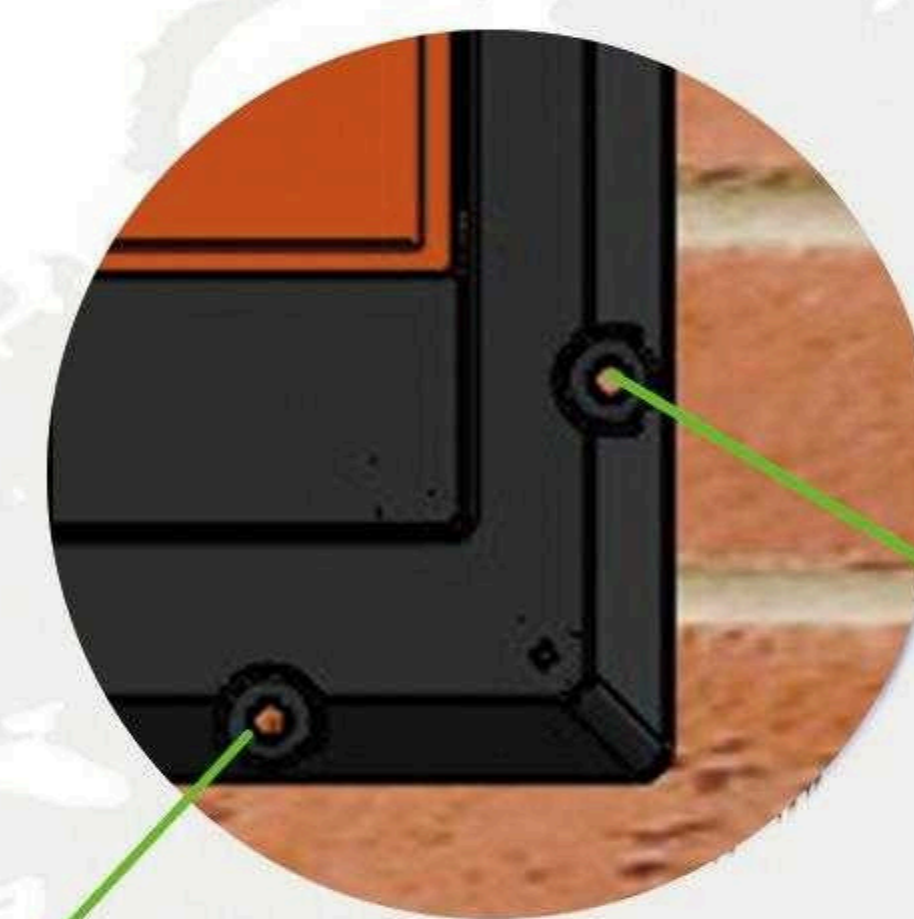
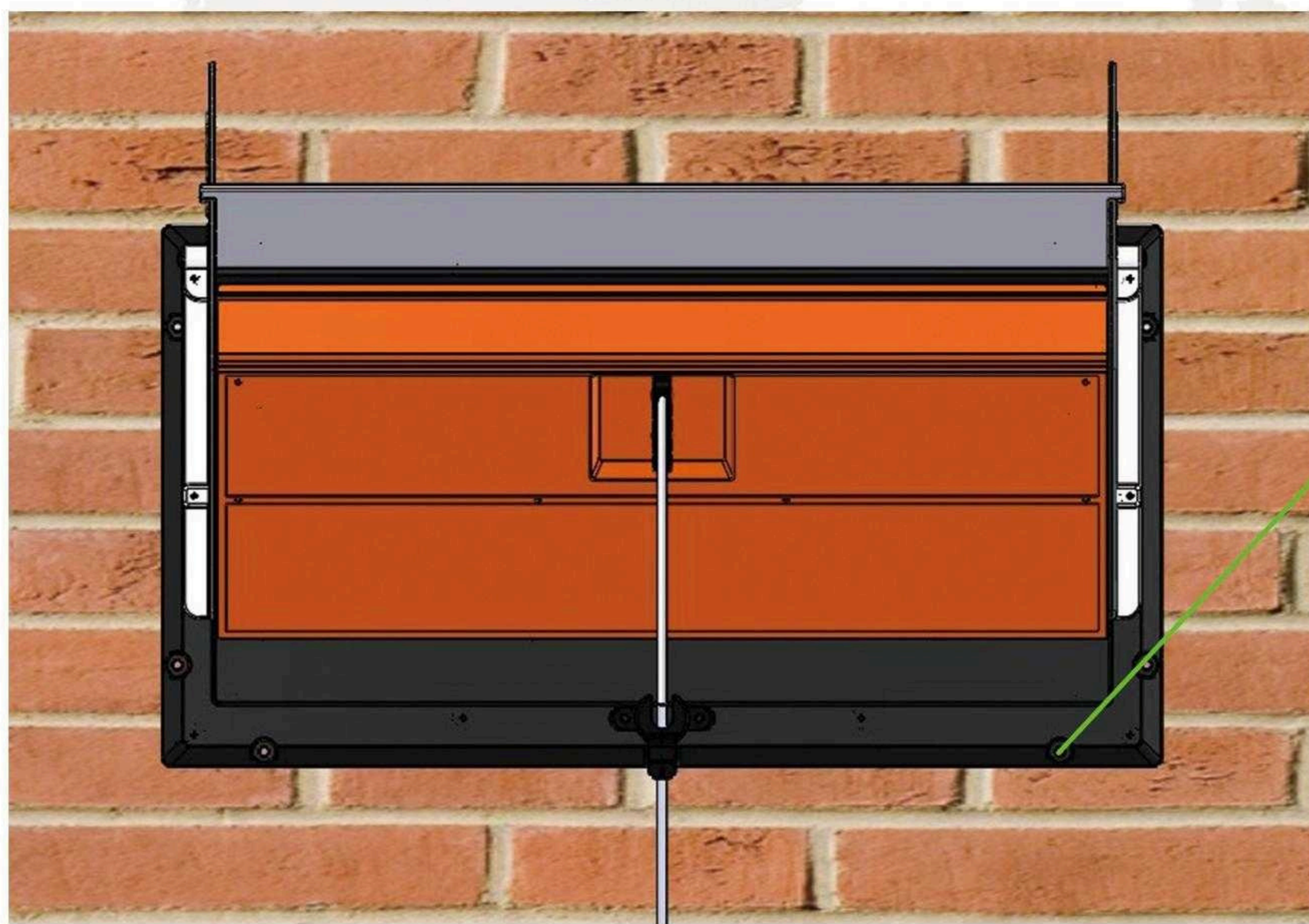
There needs 2 expansion bolts to fix the pulley.

Note: Using 13mm percussion drill to drill holes for the pulley and winch, and fix them with M10*80 expansion bolts.



The outer side of the reserved hole should be slightly lower than the inner side to prevent the rainwater from pouring in.

● Reserved opening size(mm)

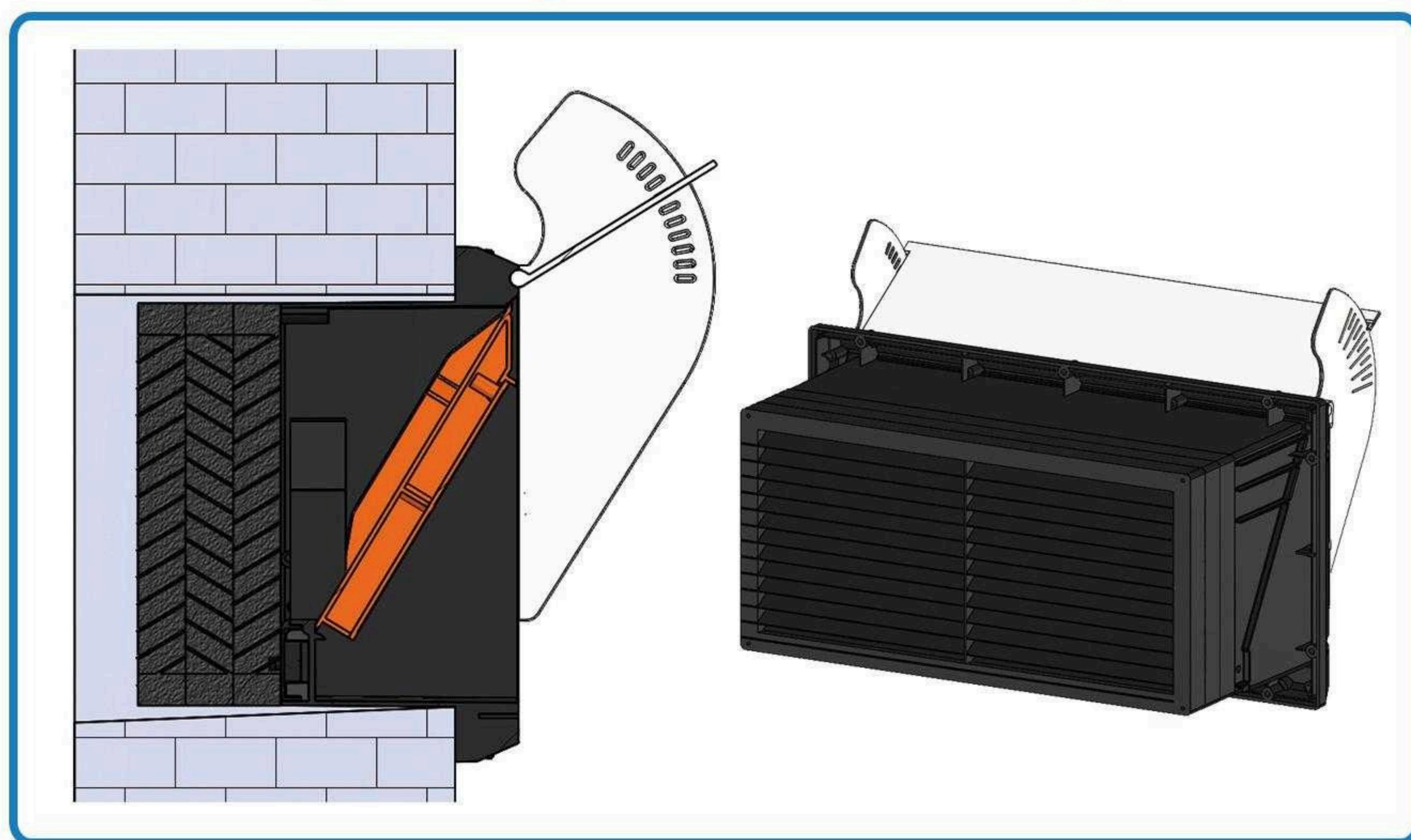


Mounting diameter 5mm

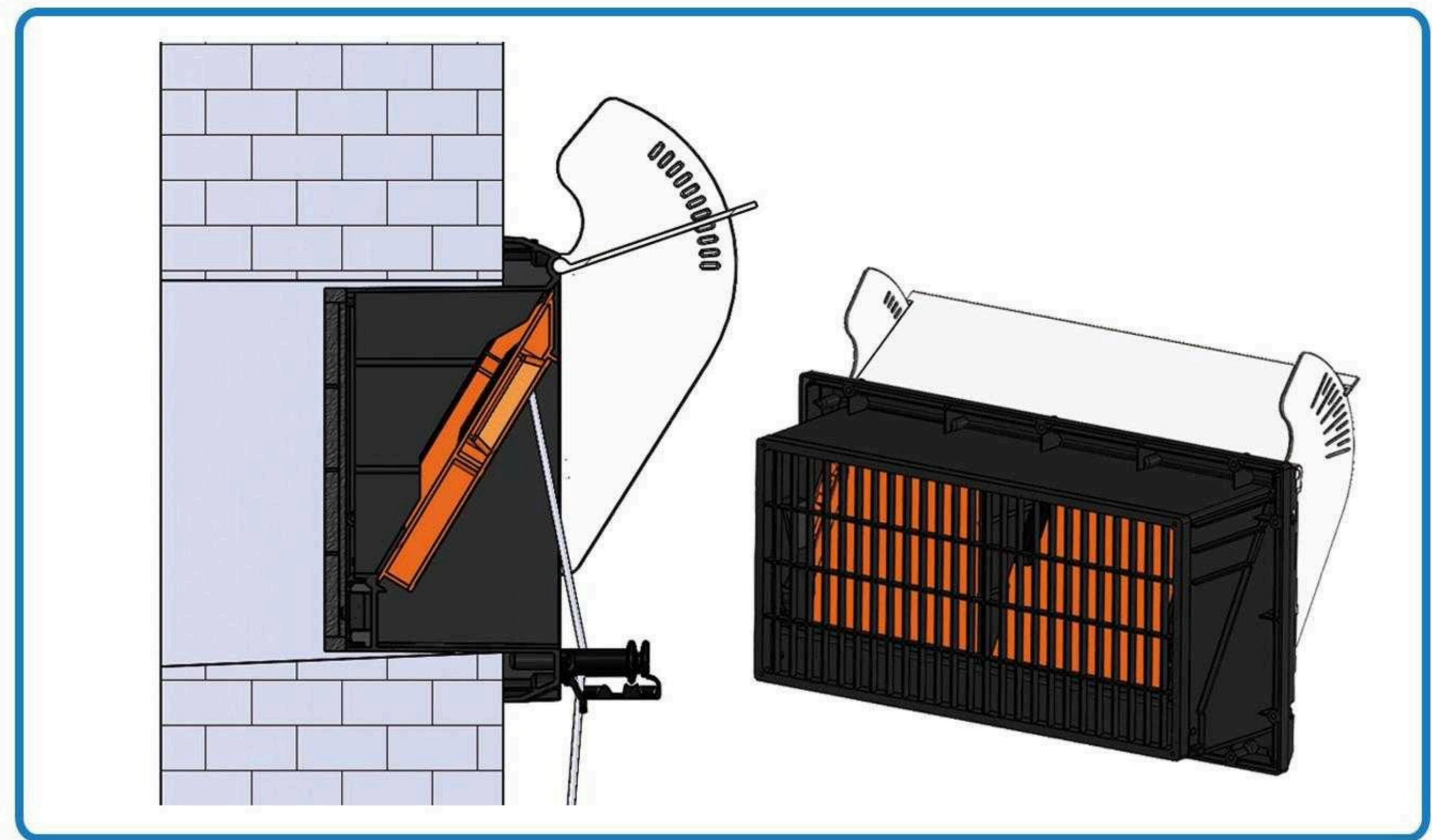
Using p6mm percussion drill to drill holes, fixed with p6*35mm expansion tube and p5*50mm bolts, fill the space between the air inlet and opening with polyfoam.

Note: There needs 11 expansion tubes and 11 pan head screws for each air inlet.

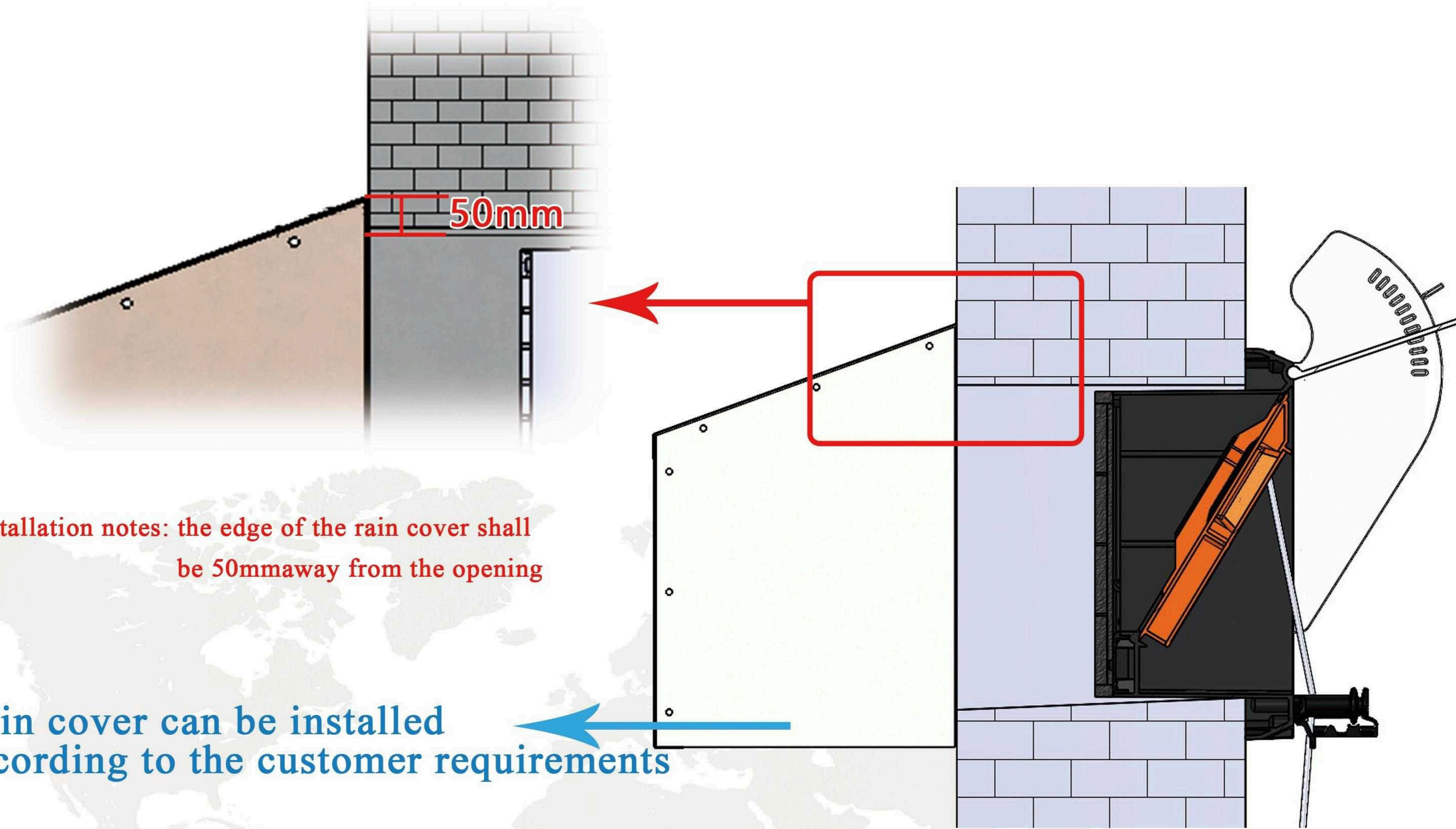
Note: Light trap and anti-bird grid are optional for the air inlet



Light trap



Anti-bird grid



Installation notes: the edge of the rain cover shall be 50mm away from the opening

Rain cover can be installed according to the customer requirements

here needs 10 expansion bolts for each rain cover installation.

Installation tools



percussion drill



Φ6mm percussion drill bit



Φ13mm percussion drill bit



Φ5*50mm bolt

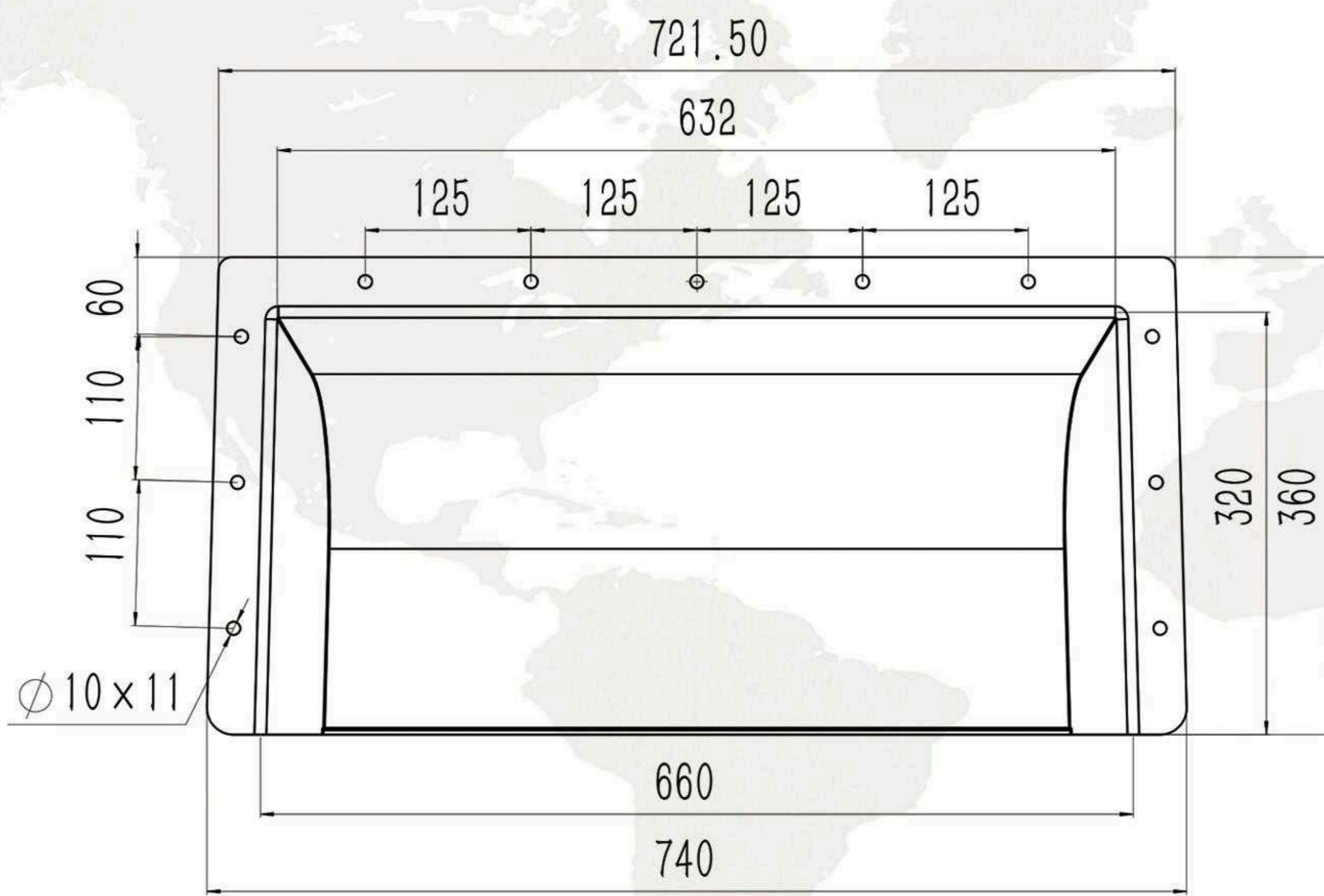
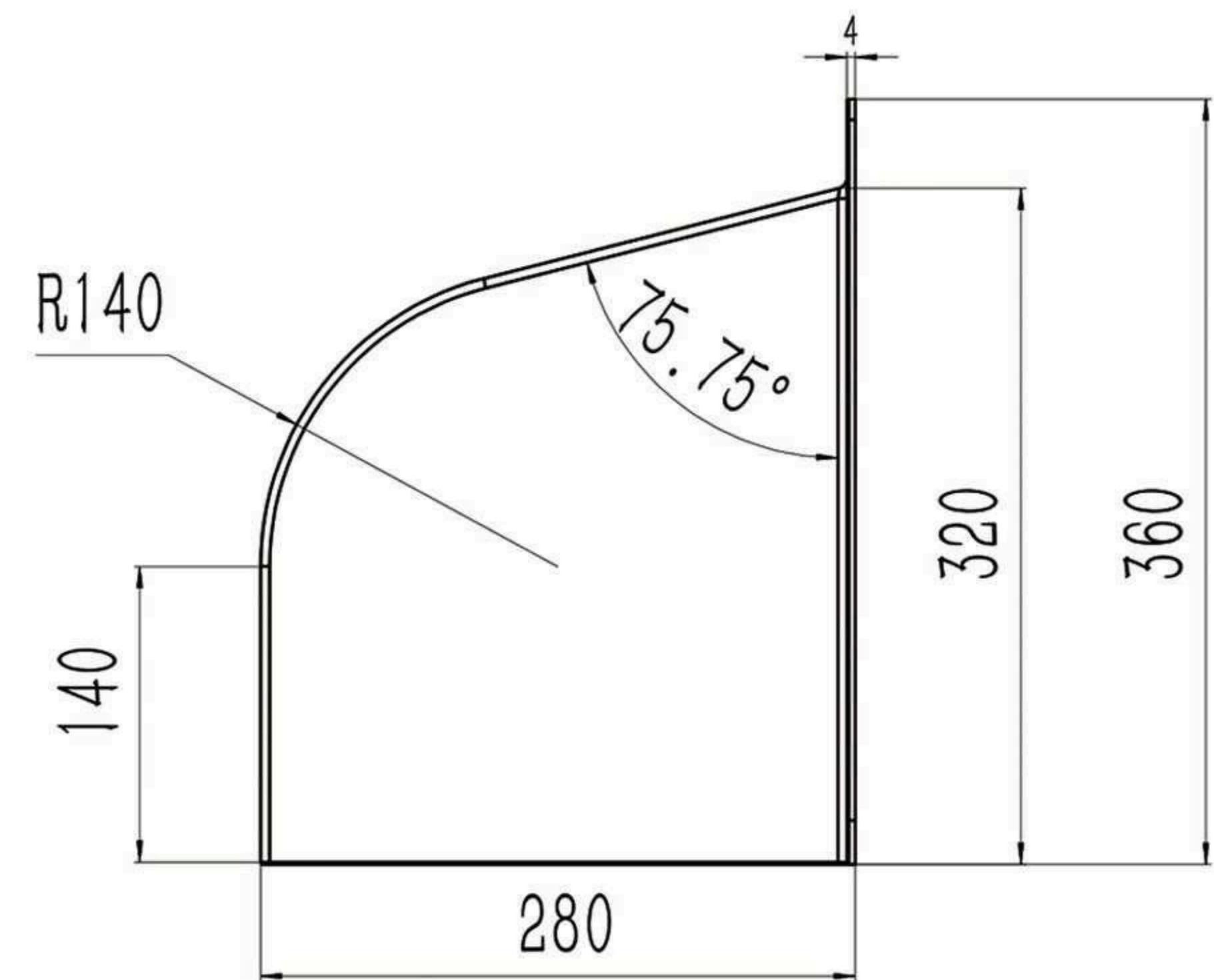


Φ6*35mm expansion bolt

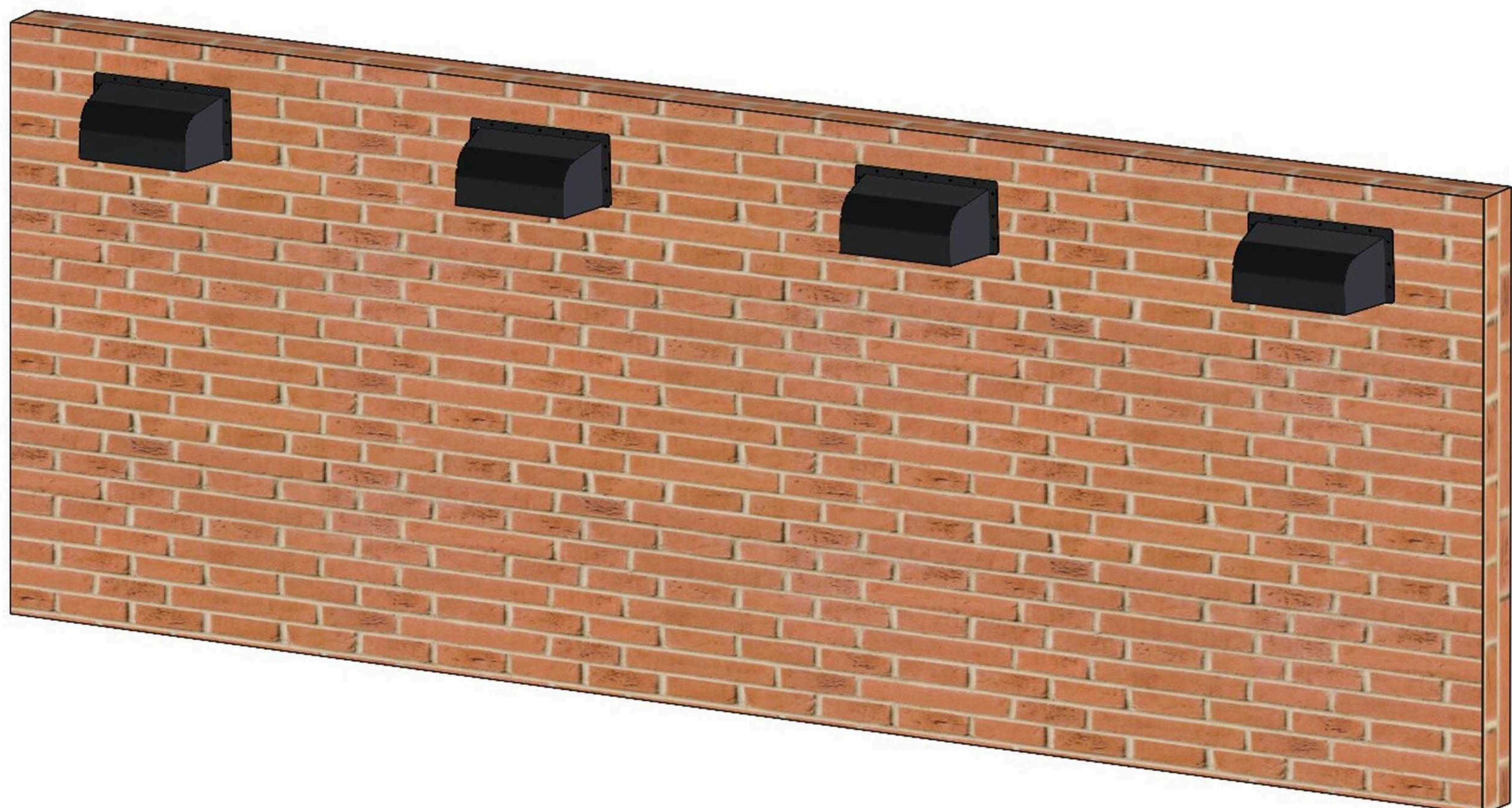


M10*80 expansion bolt

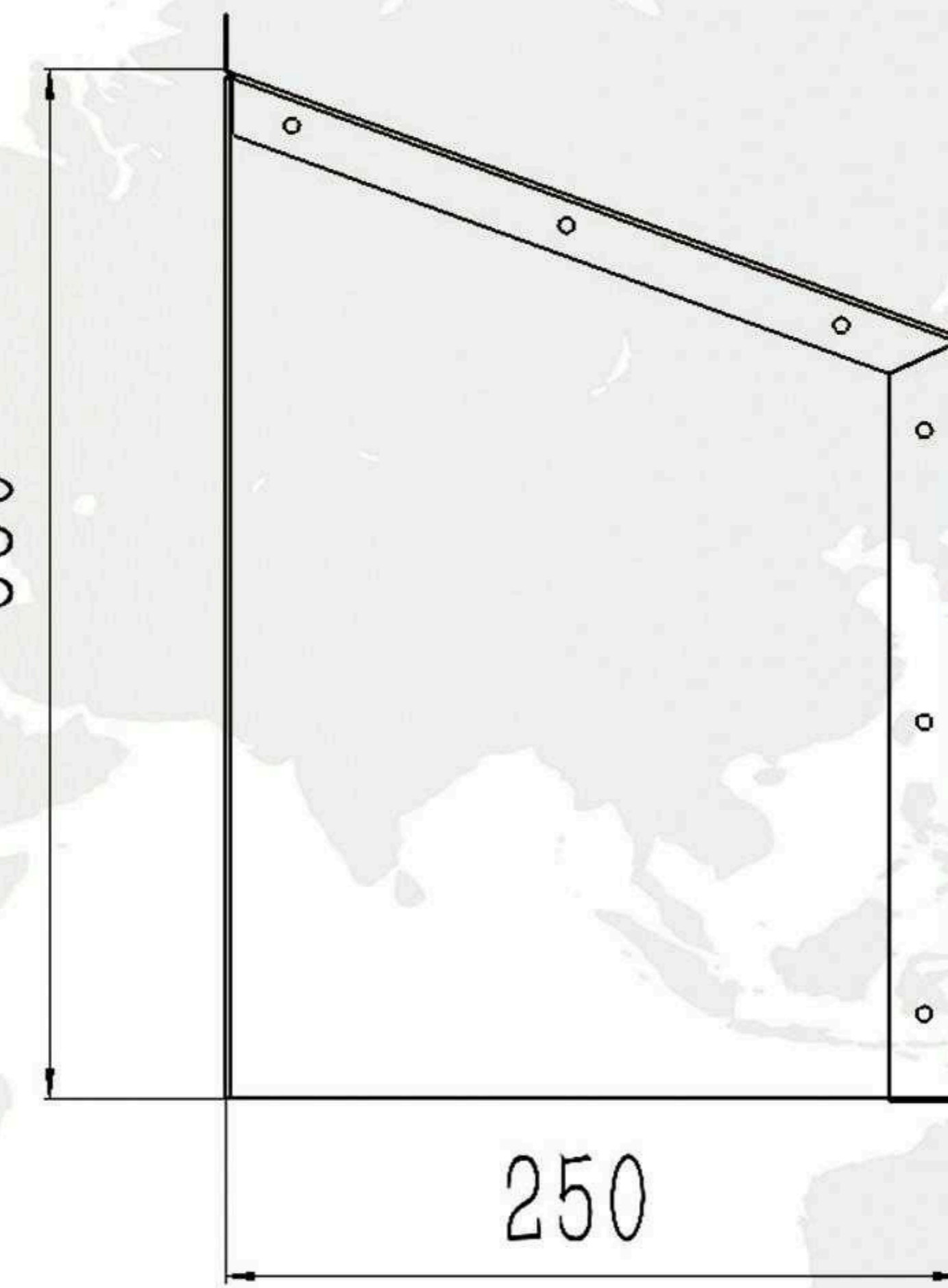
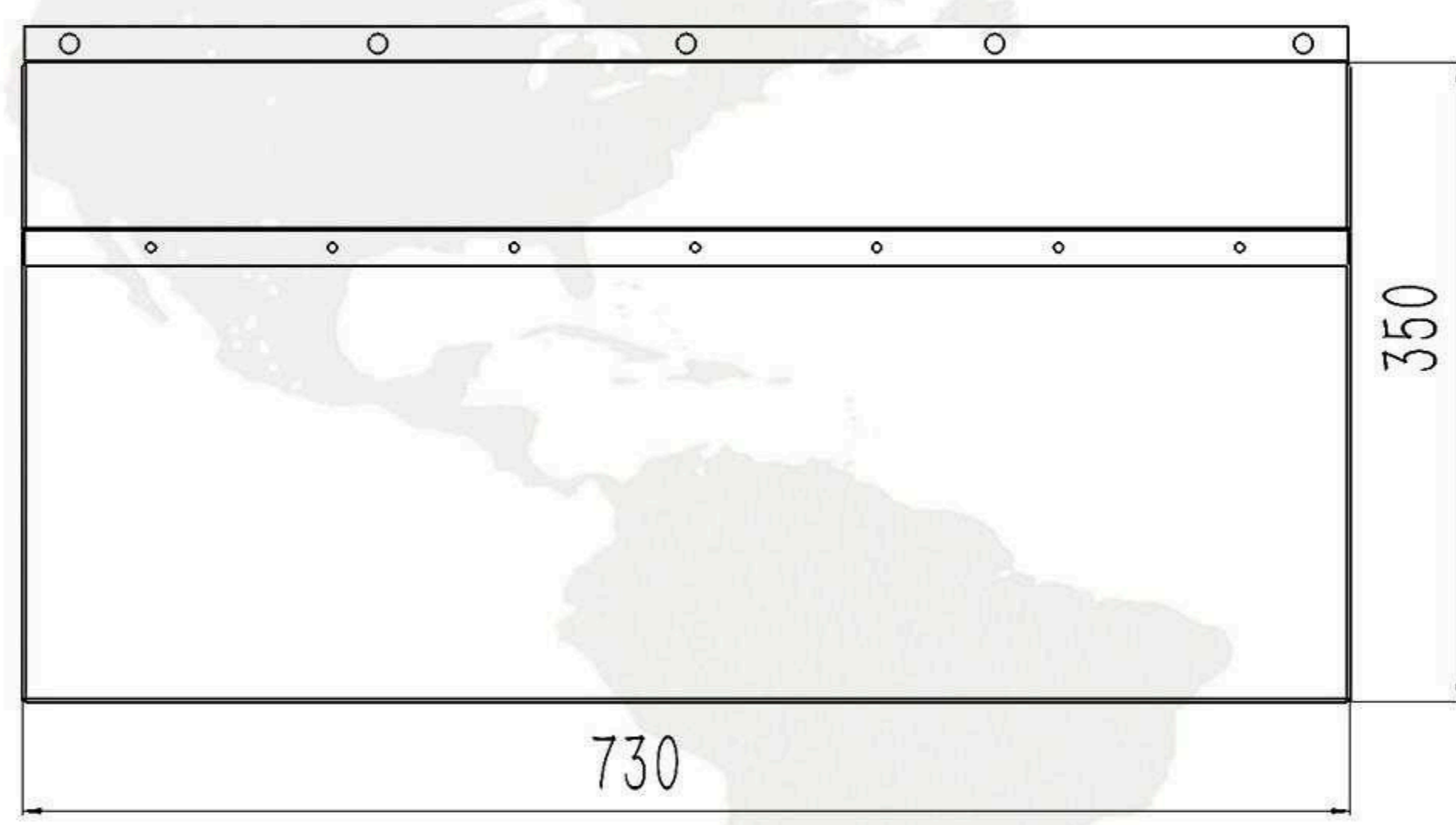
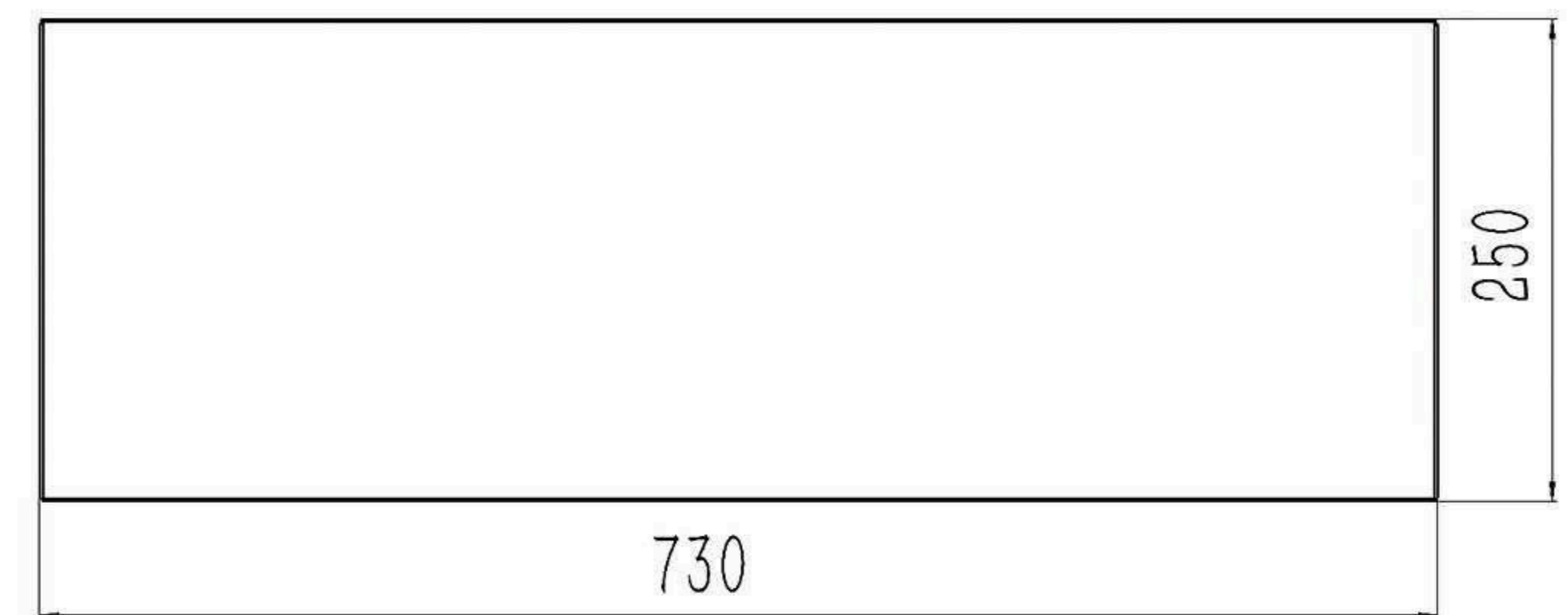
Plastic Cover (Optional)



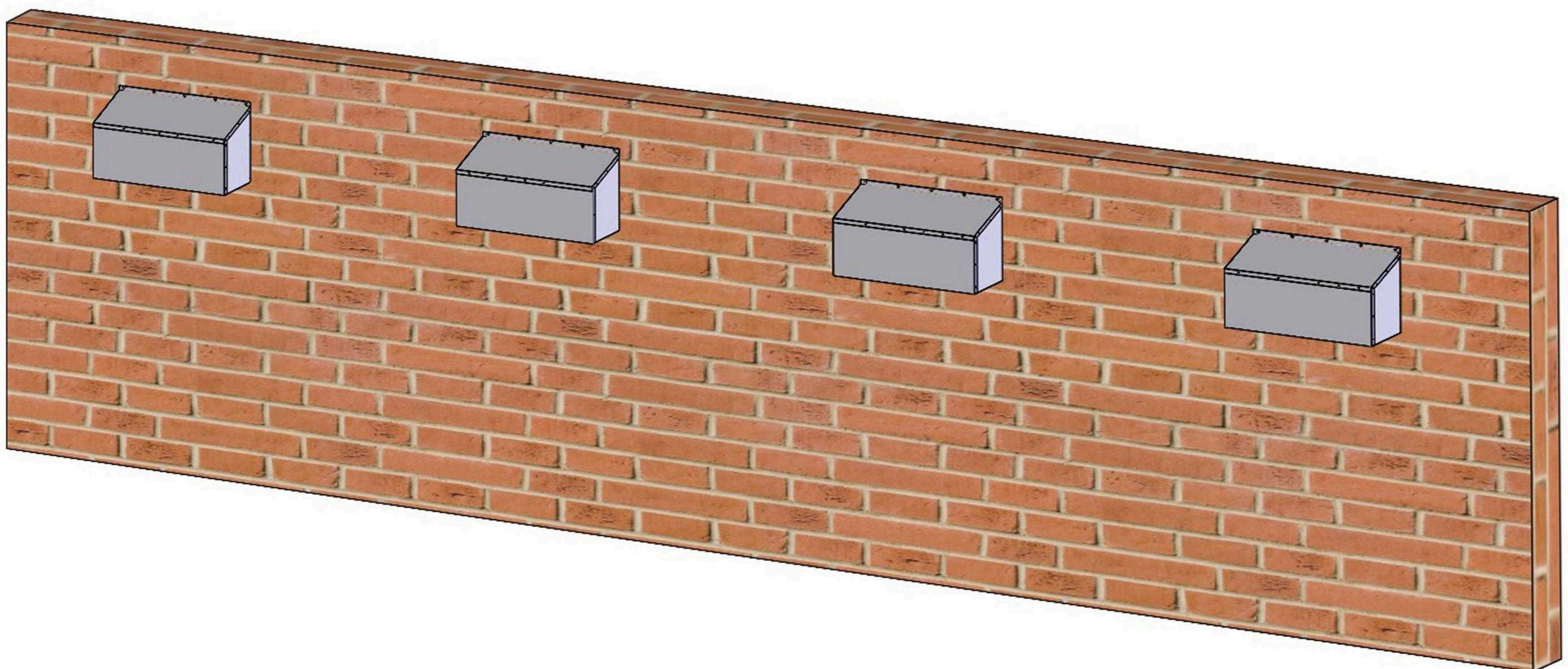
Installation Diagram



Galvanized Steel Cover (Optional)



Installation Diagram



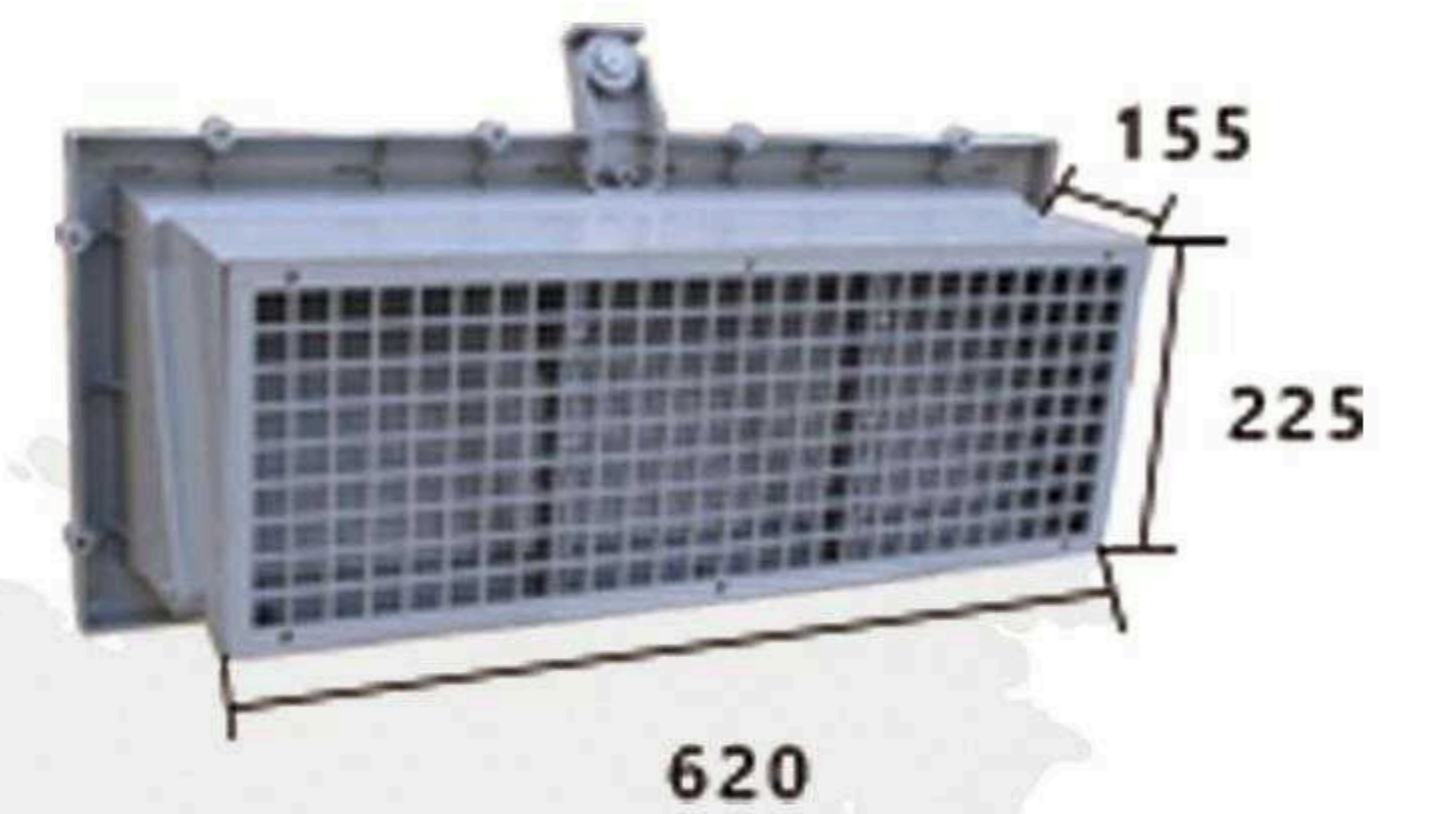
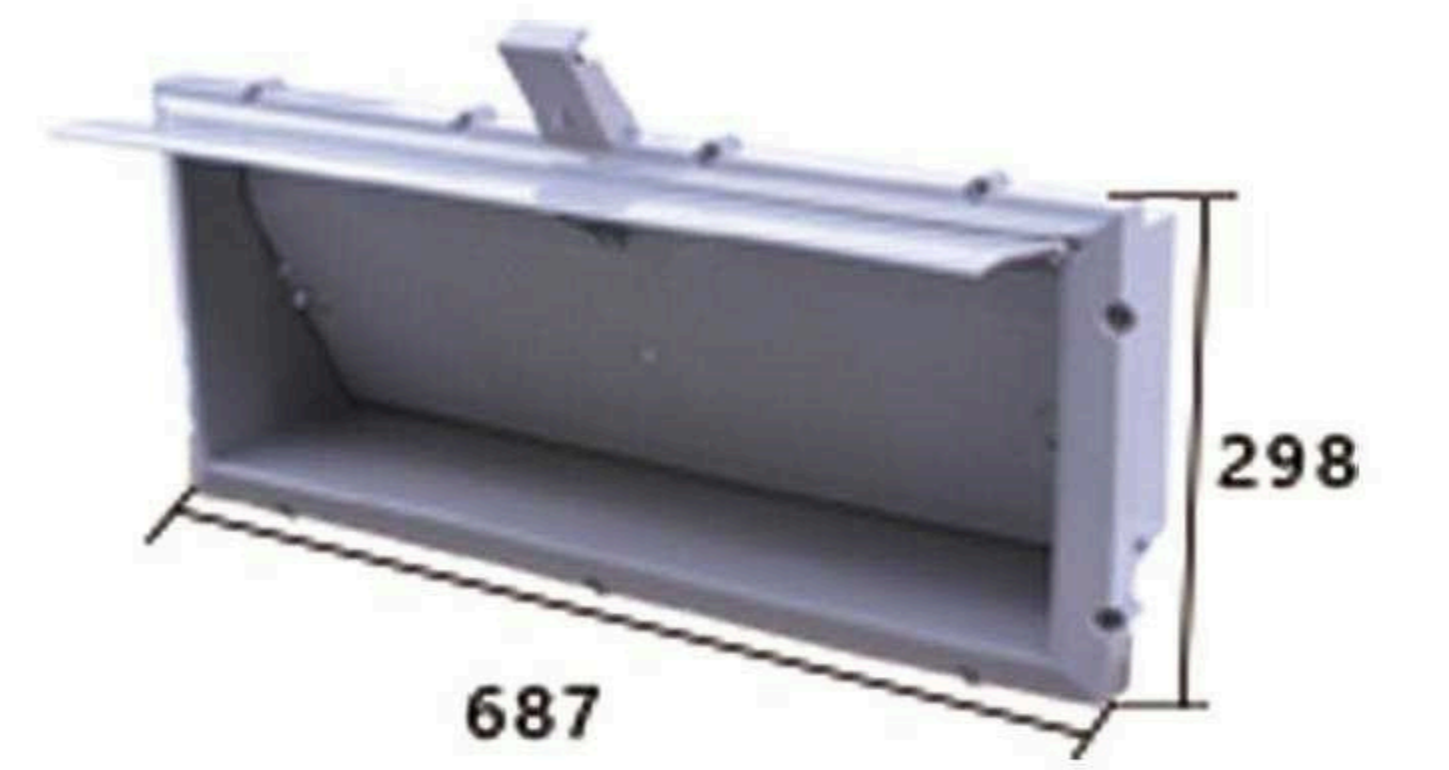
Other types air inlets



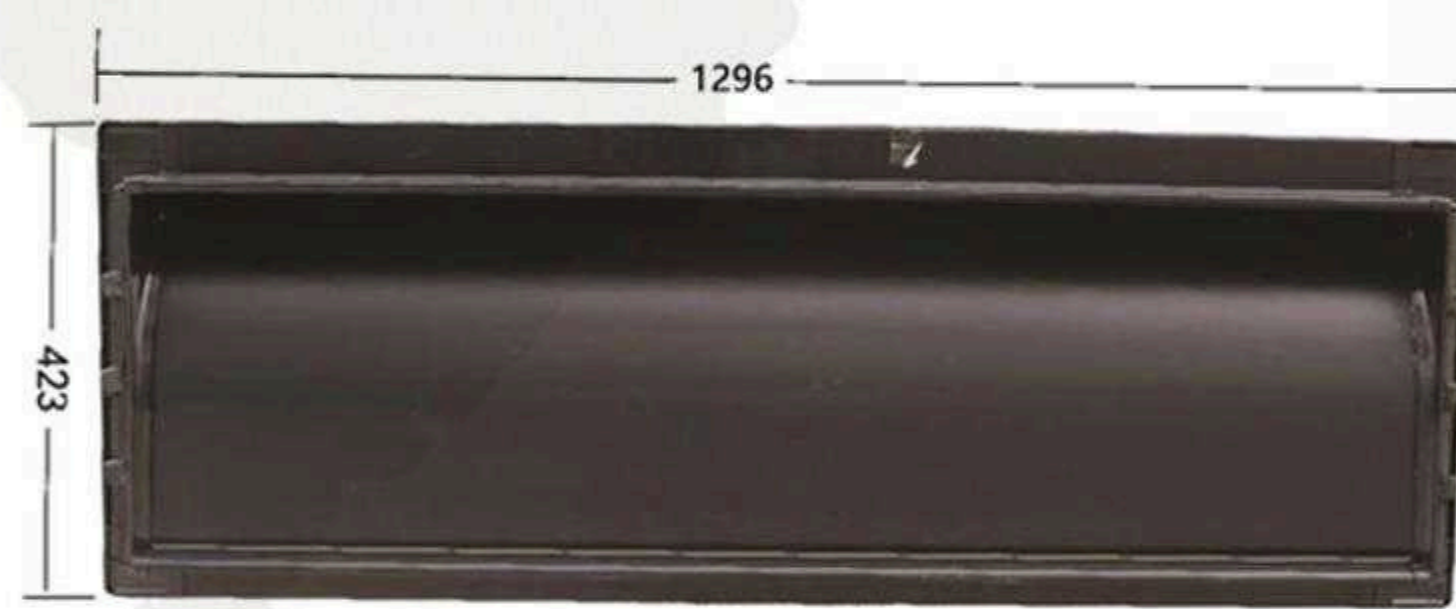
FC-2



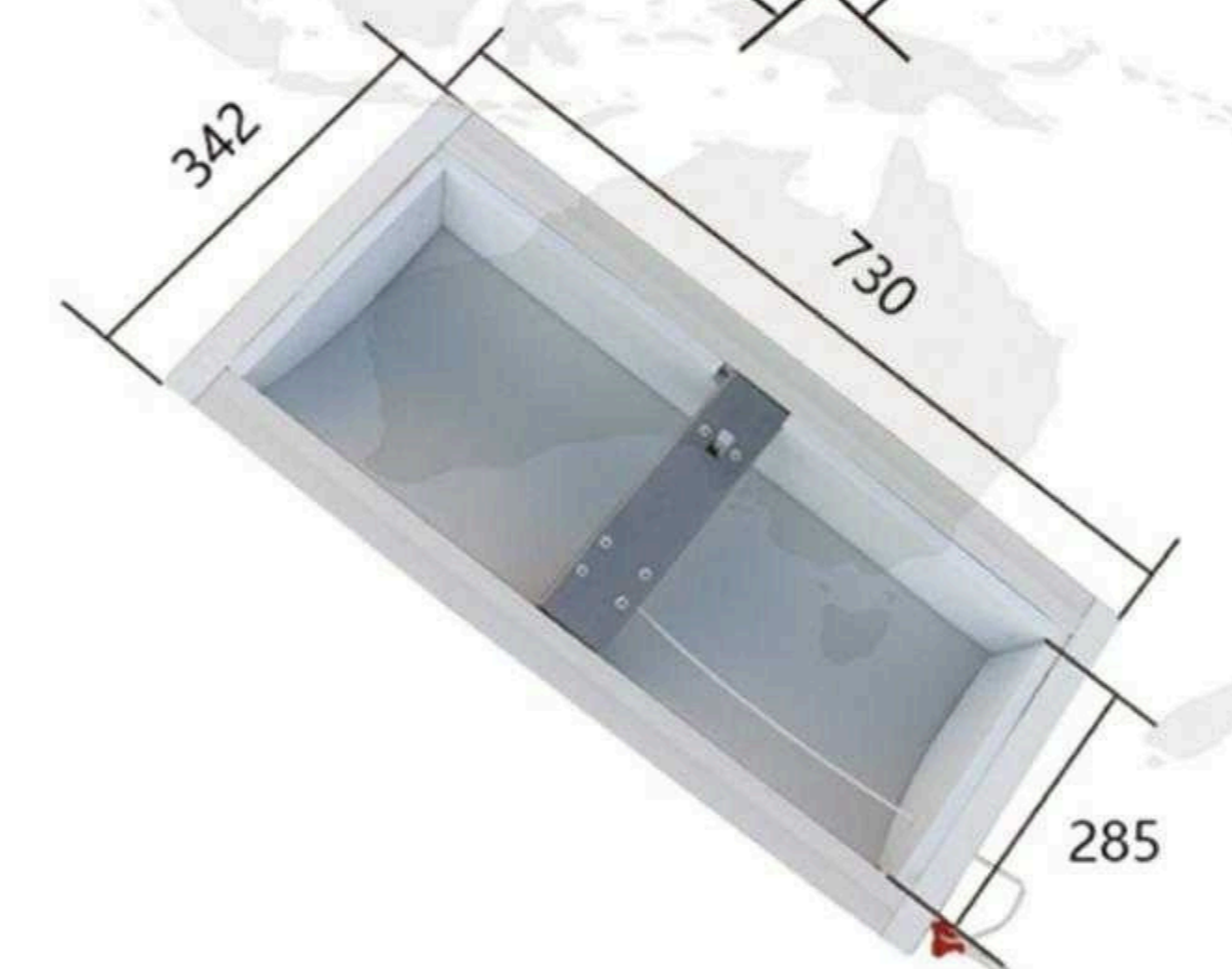
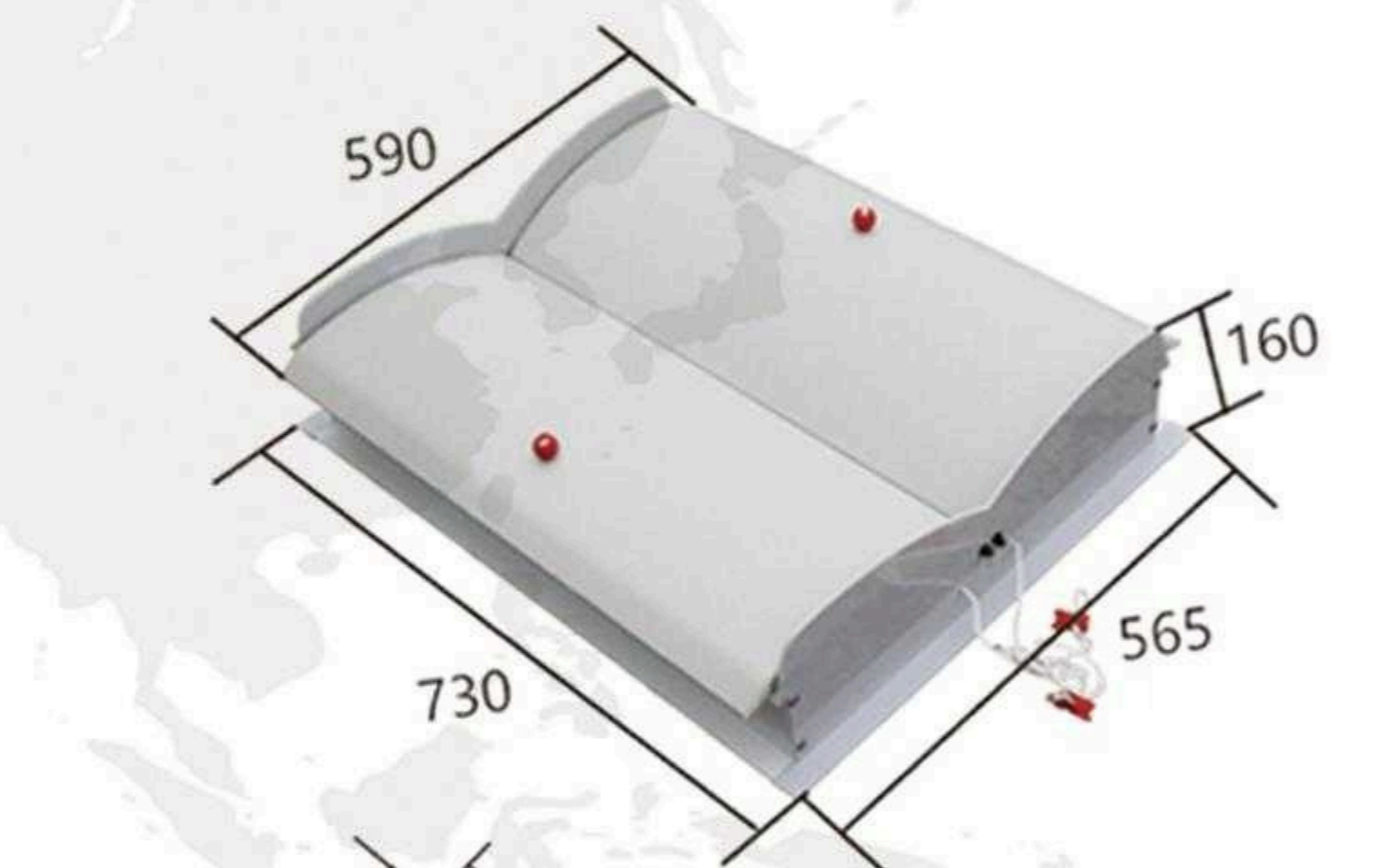
FC-3



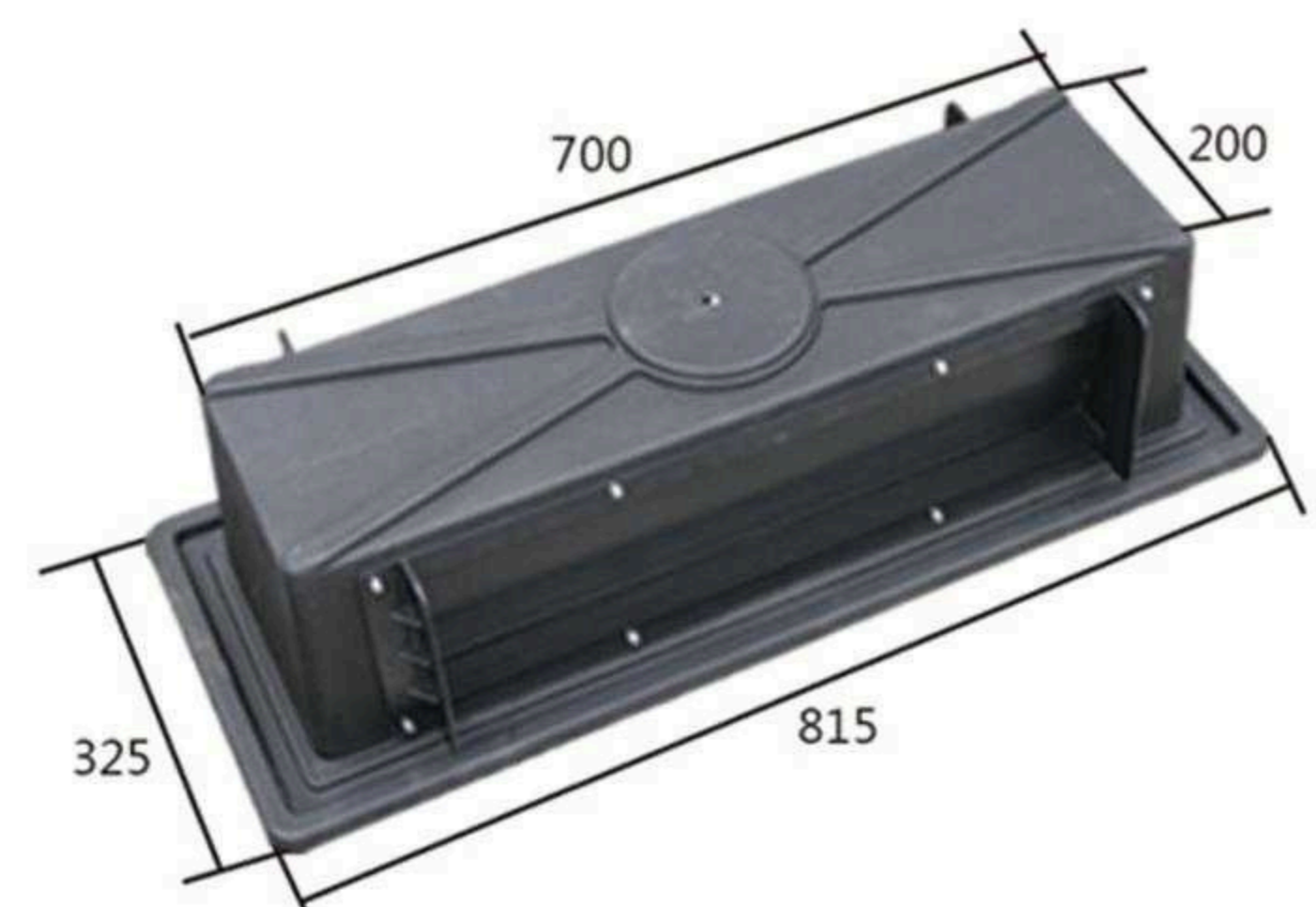
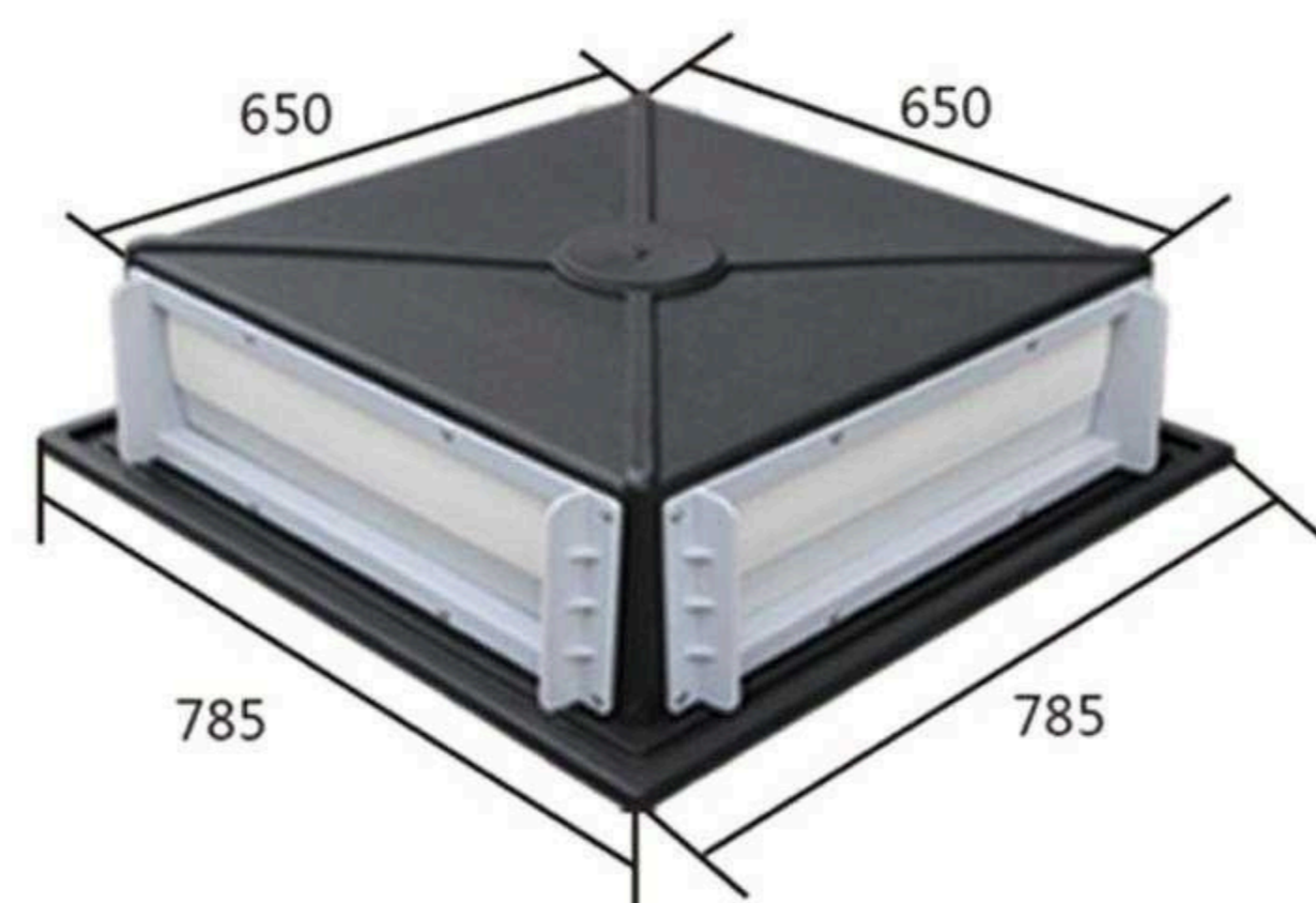
FC-5



FC-6



FC-7



FC-8

